

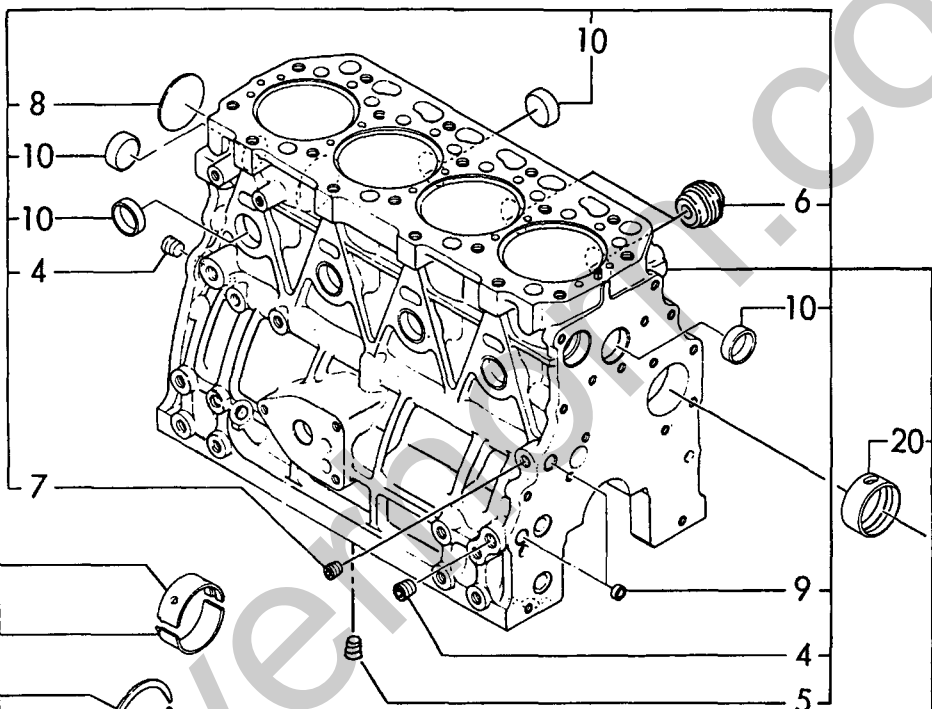
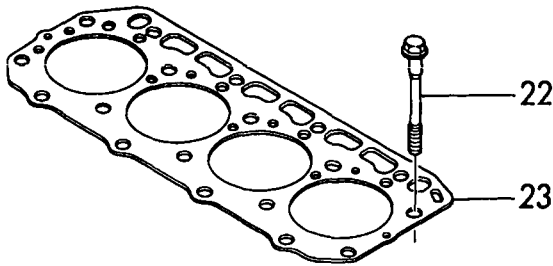
Y00B5001,Industrial,"Vertical multi cyl, diesel(T-series)",  
[Info]  
PcNo=Y00B5001  
PcName=4TN84TL-RBS(B50W)  
JpnUse=0  
JpnSec1=  
JpnSec2=  
JpnSec3=  
JpnPreface=0  
EngUse=1  
EngSec1=ENGINE  
EngSec2=SMALL VERTICAL (B)  
EngSec3=TN  
EngPreface=0

Silverhorn.CO.UK

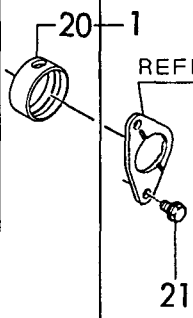
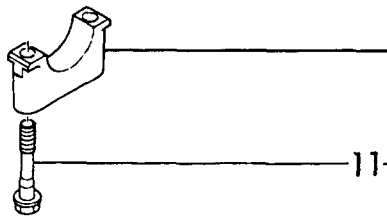
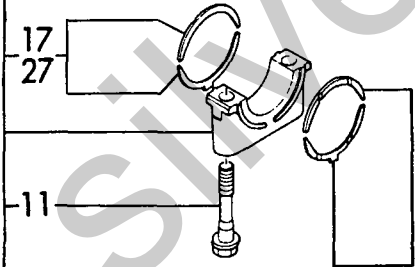
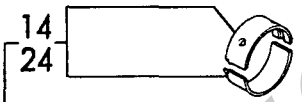
1,1,,729484-01560,, "BLOCK ASSY, CYLINDER",1,,,,,,,,,,,,,  
4,3,,124160-01910,, "PLUG PT1/4",2,,,,,,,,,,,,,  
5,3,,124160-01910,, "PLUG PT1/4",1,,,,,,,,,,,,,  
6,3,,171051-01921,, PLUG,1,,,,,,,,,,,,,  
7,3,,23871-010000,, "PLUG PT1/8, SCREW",1,,,,,,,,,,,,,  
8,3,,27231-500000,, "PLUG 50",1,,,,,,,,,,,,,  
9,3,,27241-120000,, "PLUG 12",2,,,,,,,,,,,,,  
10,3,,27241-300000,, "PLUG 30",8,,,,,,,,,,,,,  
11,2,,129150-02020,, "BOLT, METAL CAP",10,,,,,,,,,,,,,  
14,2,,129150-02800,, "MAIN METAL",5,,,,,,,,,,,,,  
17,2,,129150-02930,, "METAL, THRUST",2,,,,,,,,,,,,,  
20,2,,129795-02411,, "BUSH, CAMSHAFT",1,,,,,,,,,,,,,  
21,1,,26106-080162,, "BOLT M 8X 16 PLATED",2,,,,,,,,,,,,,  
21-1,1,,26106-080142,, "BOLT M 8X 14 PLATED",2,,,,,N,,TE-96037,E/#28121,,,,,  
22,1,,129150-01200,, "STUD, CYL. HEAD",18,,,,,,,,,,,,,  
23,1,,129405-01330,, "GASKET, CYL.HEAD",1,,,,,A,,,,,  
23-1,1,,129405-01331,, "GASKET, (NON-ASB.)",1,,,,,R,A,TE-93048,E/#20646,,,,,  
24,1,,129150-02870,, "MAIN METAL US=0.25",5,,,,,1,,,,,  
27,1,,129150-02940,, "METAL, THRUST OS=0.25",1,,,,,2,,,,,

Silverhorn.CO.UK

Fig. 1 CYLINDER BLOCK

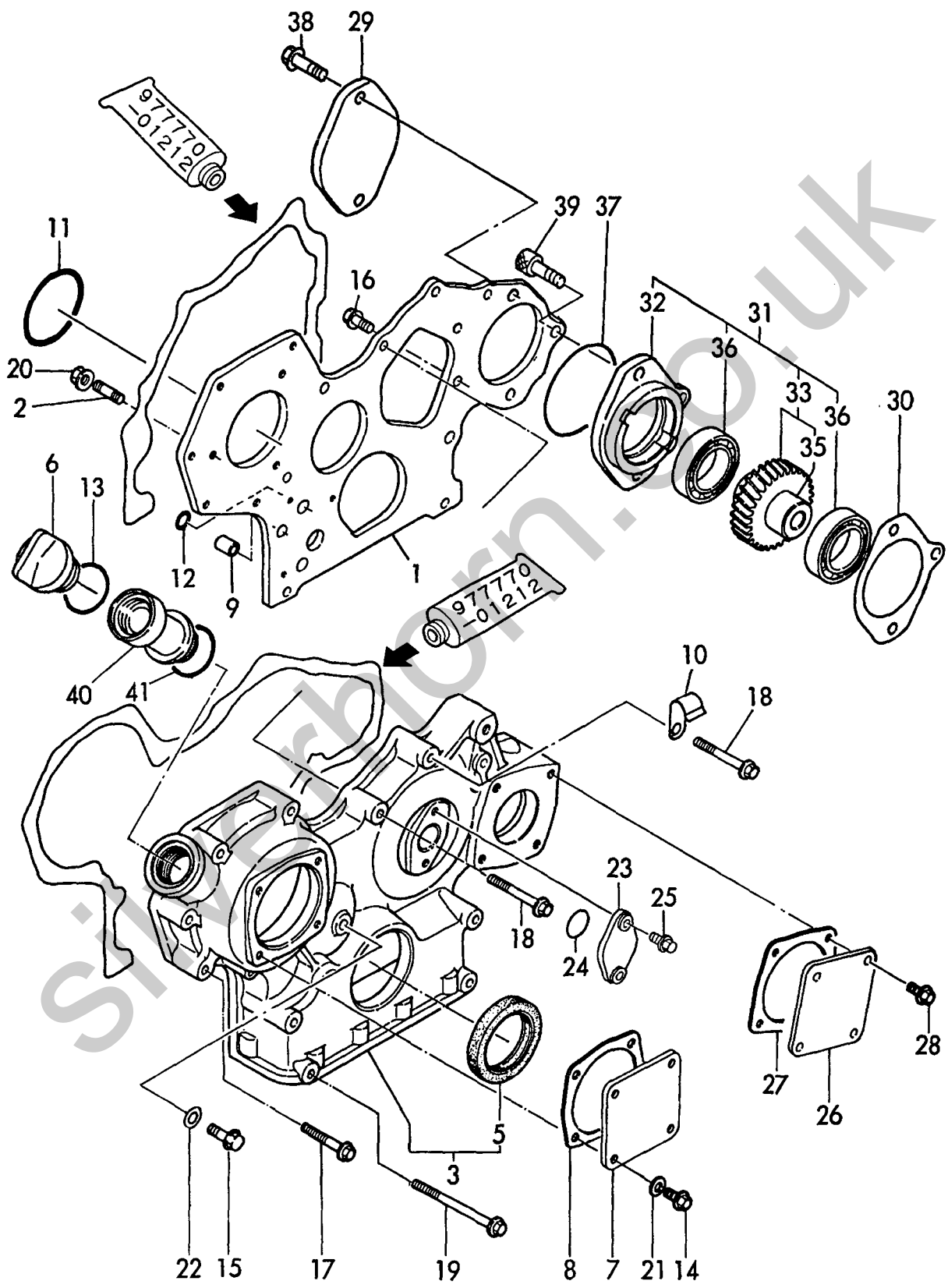


REFER TO Fig. 7



1,1,,171353-01520,, "FLANGE, GEAR HOUSING",1,,,,,,,,,,,,,  
2,1,,121450-01560,, "STUD M 8X 22",3,,,,,,,,,,,,,  
3,1,,171353-01580,, "GEAR CASE ASSY",1,,,,,,,,,,,,,  
5,2,,129795-01800,, "SEAL, OIL",1,,,,,,,,,,,,,  
6,1,,124160-01751,, "CAP, LUB.OIL SUPPLY",1,,,,,,,,,,,,,  
7,1,,124240-01871,, "COVER, HO-P",1,,,,,,,,,,,,,  
8,1,,124240-01883,, "GASKET, (NON-ASB.)",1,,,,,,A,,,,,  
9,1,,129795-01950,, "PIPE, KNOCK L=18",2,,,,,,,,,,,,,  
10,1,,129150-03100,, "RETAINER",1,,,,,,,,,,,,,  
11,1,,121850-51960,, "O-RING, F.I.PUMP",1,,,,,,A,,,,,  
12,1,,24311-000160,, "O-RING 1A P-16.0",2,,,,,,A,,,,,  
13,1,,24311-000320,, "O-RING 1A P-32.0",1,,,,,,A,,,,,  
14,1,,26106-080122,, "BOLT M 8X 12 PLATED",4,,,,,,,,,,,,,  
15,1,,26106-080162,, "BOLT M 8X 16 PLATED",1,,,,,,,,,,,,,  
16,1,,26106-080162,, "BOLT M 8X 16 PLATED",3,,,,,,,,,,,,,  
17,1,,26106-080452,, "BOLT M 8X 45 PLATED",6,,,,,,,,,,,,,  
18,1,,26106-080552,, "BOLT M 8X 55 PLATED",3,,,,,,,,,,,,,  
19,1,,26106-080852,, "BOLT M 8X 85 PLATED",4,,,,,,,,,,,,,  
19-1,1,,129001-91840,, "BOLT M 8X 85 PLATED",4,,,,,,R,,TE-97594,E/#29028,,,,,  
20,1,,26366-080002,, "NUT M 8",3,,,,,,,,,,,,,  
21,1,,43400-500410,, "SEAL WASHER 8S",4,,,,,,,,,,,,,  
21-1,1,,22190-080002,, "SEAL WASHER 8S",4,,,,,,R,,TN-93179,E/#20469,,,,,  
22,1,,43400-500410,, "SEAL WASHER 8S",1,,,,,,,,,,,,,  
22-1,1,,22190-080002,, "SEAL WASHER 8S",1,,,,,,R,,TN-93179,E/#20469,,,,,  
23,1,,121023-01550,, "COVER, BLIND",1,,,,,,,,,,,,,  
24,1,,24341-000240,, "O-RING 1A S-24.0",1,,,,,,A,,,,,  
25,1,,26106-060122,, "BOLT M 6X 12 PLATED",2,,,,,,,,,,,,,  
25-1,1,,26106-060162,, "BOLT M 6X 16 PLATED",2,,,,,,N,,\*,EXXX,,,,,  
26,1,,124240-01871,, "COVER, HO-P",1,,,,,,,,,,,,,  
27,1,,124240-01883,, "GASKET, (NON-ASB.)",1,,,,,,A,,,,,  
28,1,,26106-080122,, "BOLT M 8X 12 PLATED",4,,,,,,,,,,,,,  
29,1,,121023-26070,, "COVER, HO-P",1,,,,,,,,,,,,,  
30,1,,171353-26081,, "GASKET,HO-P BRACKET",1,,,,,,,,,,,,,  
31,1,,129484-26200,, "GEAR ASSY, H.O. PUMP",1,,,,,,,,,,,,,  
32,2,,171353-26050,, "BRACKET, HO-PUMP",1,,,,,,,,,,,,,  
33,2,,129484-26210,, "GEAR W/SHAFT",1,,,,,,,,,,,,,  
35,3,,129484-26220,, "SHAFT,H.O.PUMP DRIV.",1,,,,,,,,,,,,,  
36,2,,24105-060064,, "BALL BEARING",2,,,,,,,,,,,,,  
37,1,,24321-000850,, "O-RING 1A G-85.0",1,,,,,,,,,,,,,  
38,1,,26106-100452,, "BOLT M10X 45 PLATED",2,,,,,,,,,,,,,  
39,1,,26450-080282,, "BOLT M 8X 28",1,,,,,,,,,,,,,  
40,1,,171031-11741,, "PIPE,1,,,,,,W,,TN-93302,"E/# 20646",,,,,,  
41,1,,24311-000320,, "O-RING 1A P-32.0",1,,,,,,W,,TN-93302,"E/# 20646",,,,,,

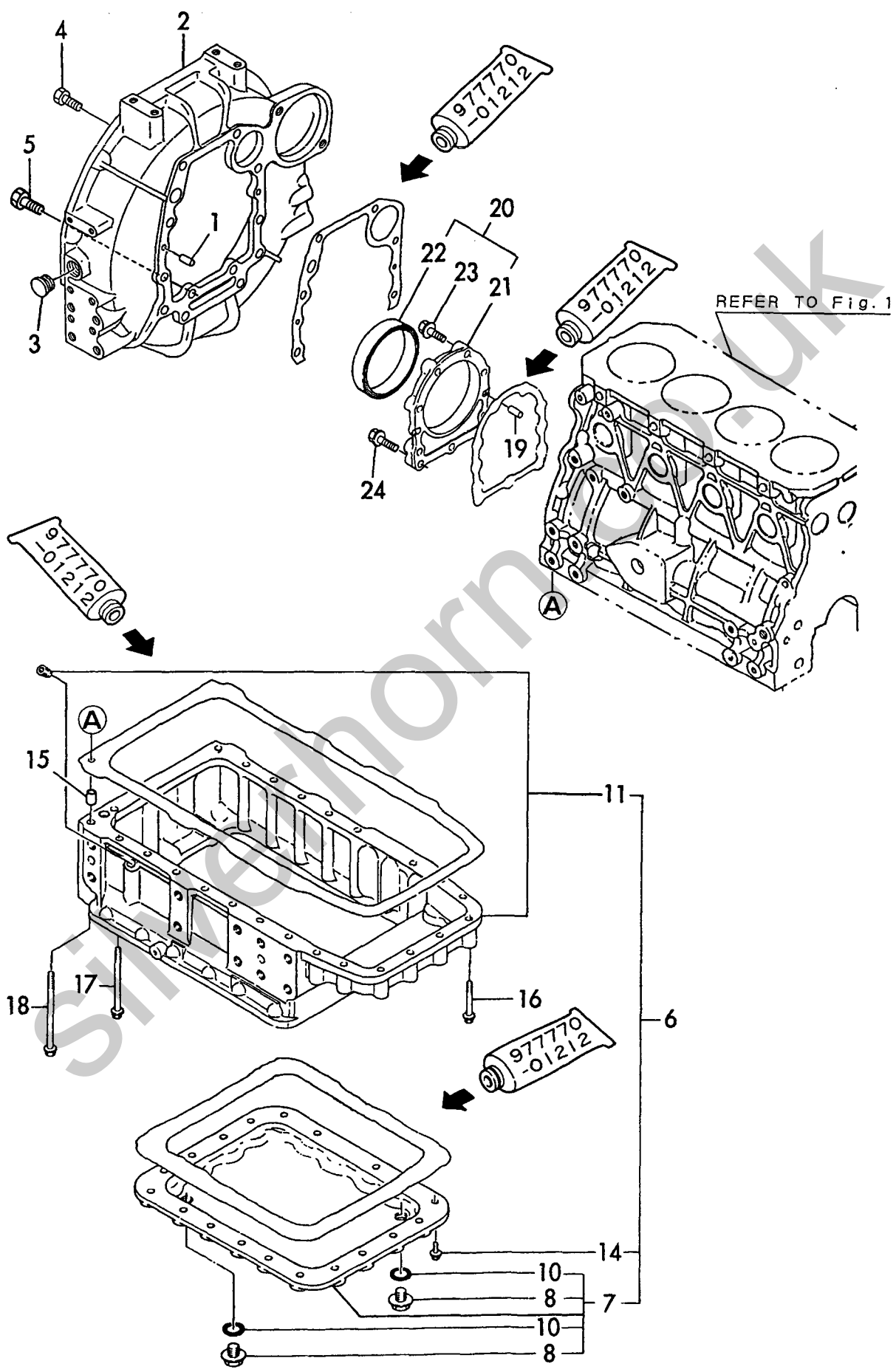
Fig. 2 GEAR HOUSING



1,1,,129100-01580,, "PARALLEL PIN 8X16",2,,,,,,,,,,,,,,,,,  
2,1,,171440-01600,, "HOUSING, FLYWHEEL",1,,,,,,,,,,,,,,,,,  
3,1,,119620-01750,, "CAP, FLYWHEEL COVER",1,,,,,,,,,,,,,,,,,  
4,1,,26206-100252,, "BOLT M10X25",6,,,,,,,,,,,,,,,,,  
5,1,,26206-100302,, "BOLT M10X30",4,,,,,,,,,,,,,,,,,  
6,1,,729550-01541,, "SUMP ASSY, LUB.OIL",1,,,,,,,,,,,,,,,,,  
7,2,,729403-01540,, "SUMP ASSY, LUB.OIL",1,,,,,,,,,,,,,,,,,  
8,3,,121400-01640,, "PLUG M16",2,,,,,,,,,,,,,,,,,  
10,3,,24311-000180,, "O-RING 1A P-18.0",2,,,,,,,,,,,,,,,,,  
11,2,,129550-01790,, "SUMP, OIL",1,,,,,,,,,,,,,,,,,  
14,2,,26106-080252,, "BOLT M 8X 25 PLATED",20,,,,,,,,,,,,,,,,,  
15,1,,129555-01750,, "PIPE, KNOCK",1,,,,,,,,,,,,,,,,,  
16,1,,26106-080502,, "BOLT M 8X 50 PLATED",8,,,,,,,,,,,,,,,,,  
17,1,,26106-081002,, "BOLT M 8X100 PLATED",14,,,,,,,,,,,,,,,,,  
17-1,1,,129001-91870,, "BOLT M 8X100",14,,,,,R,,TE-97594,E/#29028,,,,,  
18,1,,26106-081202,, "BOLT M 8X120 PLATED",4,,,,,,,,,,,,,,,,,  
18-1,1,,129001-91910,, "BOLT M 8X120",4,,,,,R,,TE-97594,E/#29028,,,,,  
19,1,,129100-01580,, "PARALLEL PIN 8X16",2,,,,,,,,,,,,,,,,,  
20,1,,129100-01640,, "CASE ASSY, OIL SEAL",1,,,,,,,,,,,,,,,,,  
21,2,,129150-01650,, "CASE, OIL SEAL",1,,,,,,,,,,,,,,,,,  
22,2,,129795-01780,, "SEAL, OIL",1,,,,,,,,,,,,,,,,,  
23,1,,26106-080302,, "BOLT M 8X 30 PLATED",6,,,,,,,,,,,,,,,,,  
23-1,1,,129486-01670,, "BOLT M8X30,COLLAR HD",6,,,,,R,,TN-96252,E/#28121,,,,,  
24,1,,26106-080352,, "BOLT M 8X 35 PLATED",3,,,,,,,,,,,,,,,,,



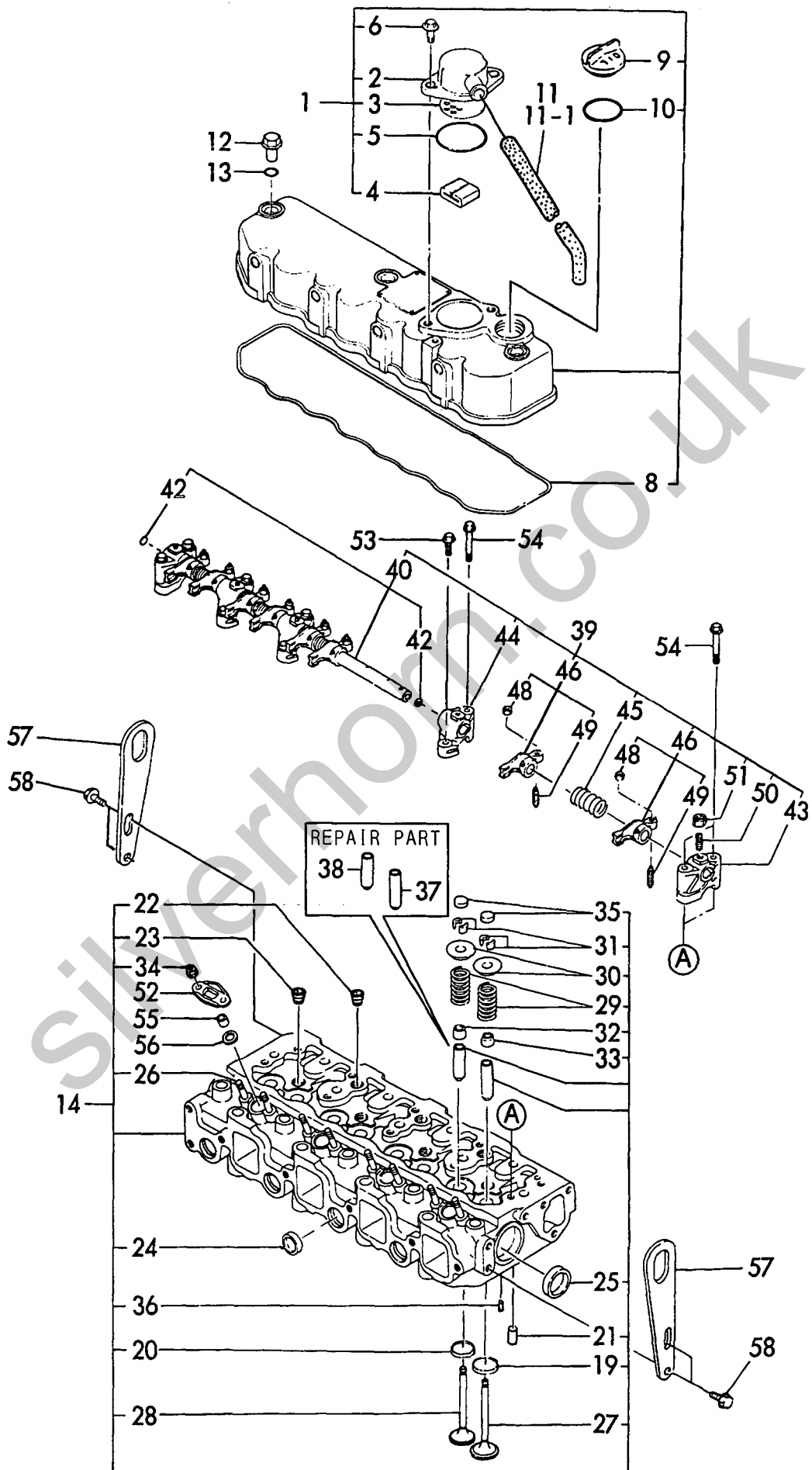
# Fig. 3 FLYWHEEL HOUSING & LUB. OIL SUMP



1,1,,129400-11350,, "BONNET ASSY",1,,,,,,,,,,,,,  
2,2,,129150-03020,, "COVER, BREATHER",1,,,,,,,,,,,,,  
3,2,,129150-03080,, "PLATE, SHELTER",1,,,,,,,,,,,,,  
4,2,,129150-03070,, "BAFFLE, BREATHER",1,,,,,,,,,,,,,  
5,2,,24341-000500,, "O-RING 1A S-50.0",1,,,,,,,,,A,,,,,,,,,  
6,2,,26106-080162,, "BOLT M 8X 16 PLATED",2,,,,,,,,,,,,,  
8,2,,129550-11310,, "GASKET, BONNET",1,,,,,,,,,A,,,,,,,,,  
9,2,,124160-01751,, "CAP, LUB.OIL SUPPLY",1,,,,,,,,,,,,,  
10,2,,24311-000320,, "O-RING 1A P-32.0",1,,,,,,,,,A,,,,,,,,,  
11,1,,129150-03090,, "PIPE",1,,,,,,,,,,,,,  
11-1,1,,23065-160950,, "PIPE 16X 950",1,,,,,,,,,N,,TN-93302,"E/# 20646",,,,,,,,,,  
12,1,,124160-11360,, "KNOB",3,,,,,,,,,,,,,  
13,1,,24311-000120,, "O-RING 1A P 12.0",3,,,,,,,,,A,,,,,,,,,  
14,1,,729402-11701,, "HEAD ASSY, CYLINDER",1,,,,,,,,,,,,,  
19,3,,129470-11080,, "SEAT, VALVE (SUC",4,,,,,,,,,,,,,  
20,3,,129470-11090,, "SEAT, VALVE (EXH",4,,,,,,,,,,,,,  
21,3,,129150-11050,, "PIECE",4,,,,,,,,,,,,,  
22,3,,121850-11860,, "PLUG PT1/4",3,,,,,,,,,,,,,  
22-1,3,,23871-020000,, "PLUG PT1/4,SCREW",3,,,,,,,,,S,,TN-95606,"E/#28121",,,,,,,,,,  
23,3,,23871-030000,, "PLUG PT3/8,SCREW",4,,,,,,,,,,,,,  
24,3,,27241-220000,, "PLUG 22",4,,,,,,,,,,,,,  
25,3,,27241-400000,, "PLUG 40",2,,,,,,,,,,,,,  
26,3,,26216-060202,, "STUD M 6X 20 PLATED",8,,,,,,,,,,,,,  
27,2,,129100-11100,, "VALVE, INTAKE",4,,,,,,,,,,,,,  
28,2,,129100-11130,, "VALVE, EXHAUST",4,,,,,,,,,,,,,  
29,2,,129795-11120,, "SPRING, VALVE",8,,,,,,,,,,,,,  
30,2,,129795-11180,, "RETAINER, SPRING",8,,,,,,,,,,,,,  
31,2,,103338-11190,, "COTTER 8",8,,,,,,,,,,,,,  
31-1,2,,27310-080001,, "COTTER 8",8,,,,,,,,,R,,NF-94018,"E/#23253",,,,,,,,,,  
32,2,,121400-11340,, "SEAL, VALVE STEM",4,,,,,,,,,A,,,,,,,,,  
33,2,,124460-11340,, "SEAL, VALVE STEM",4,,,,,,,,,A,,,,,,,,,  
34,2,,26366-060002,, "NUT M 6",8,,,,,,,,,,,,,  
35,2,,129150-11370,, "CAP, VALVE",8,,,,,,,,,,,,,  
36,2,,22351-060012,, "SPRING PIN 6X12",2,,,,,,,,,,,,,  
37,1,,120130-11860,, "GUIDE, VALVE",4,,,,,,,,,1,,,,,,,,,  
38,1,,129150-11810,, "GUIDE, VALVE",4,,,,,,,,,1,,,,,,,,,  
39,1,,129555-11241,, "SHAFT ASSY, ROCKER",1,,,,,,,,,,,,,  
40,2,,129550-11290,, "SHAFT, ROCKER ARM",1,,,,,,,,,,,,,  
42,3,,27241-100000,, "PLUG 10",2,,,,,,,,,,,,,  
43,2,,129155-11260,, "SUPPORT, ROCKER ARM",2,,,,,,,,,,,,,  
44,2,,129155-11270,, "SUPPORT, ROCKER ARM",3,,,,,,,,,,,,,  
45,2,,129150-11280,, "SPRING",4,,,,,,,,,,,,,  
46,2,,729402-11650,, "ARM ASSY, ROCKER",8,,,,,,,,,,,,,  
48,3,,129150-11750,, "NUT M8XP1.0",8,,,,,,,,,,,,,  
49,3,,129150-11230,, "SCREW, VALVE",8,,,,,,,,,,,,,  
50,2,,26226-080182,, "STUD M 8X 18 PLATED",3,,,,,,,,,,,,,  
51,2,,26756-080002,, "LOCK NUT M 8 PLATED",3,,,,,,,,,,,,,  
52,1,,119625-11900,, "RETAINER",4,,,,,,,,,,,,,  
53,1,,26106-080252,, "BOLT M 8X 25 PLATED",3,,,,,,,,,,,,,  
54,1,,26106-080502,, "BOLT M 8X 50 PLATED",7,,,,,,,,,,,,,  
55,1,,119625-11870,, "PROTECTOR, NOZZLE",4,,,,,,,,,A,,,,,,,,,  
56,1,,119625-11880,, "SEAT, NOZZLE",4,,,,,,,,,A,,,,,,,,,  
57,1,,124736-07900,, "LIFTER, ENGINE",2,,,,,,,,,,,,,  
58,1,,26106-080142,, "BOLT M 8X 14 PLATED",4,,,,,,,,,,,,,



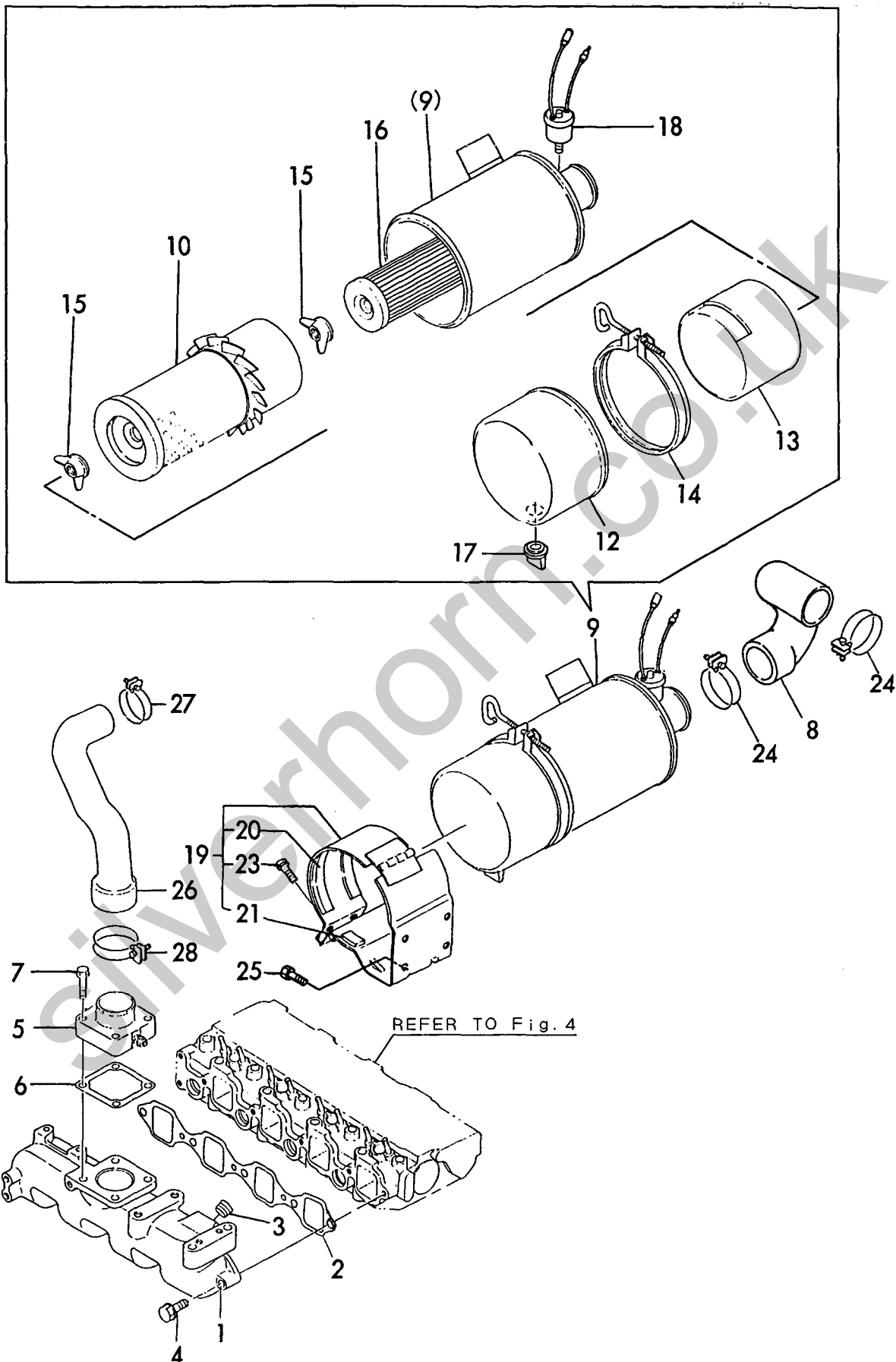
Fig. 4 CYLINDER HEAD & BONNET



1,1,,129400-12100,, "MANIFOLD, INTAKE",1,,,,,,,,,,,,,  
2,1,,129550-12111,, "GASKET, (NON-ASB.)",1,,,,,,A,,,,,  
3,1,,23871-030000,, "PLUG PT3/8,SCREW",1,,,,,,,,,,,,,  
4,1,,26106-080352,, "BOLT M 8X 35 PLATED",5,,,,,,,,,,,,,  
5,1,,129120-77501,, "HEATER, AIR",1,,,,,,,,,,,,,  
6,1,,129150-77511,, "GASKET, (NON-ASB.)",1,,,,,,A,,,,,  
7,1,,26106-080352,, "BOLT M 8X 35 PLATED",4,,,,,,,,,,,,,  
8,1,,129432-12070,, "HOSE, AIR CLEANER",1,,,,,,,,,,,,,  
9,1,,171061-12500,, "CLEANER ASSY, AIR",1,,,,,,,,,,,,,  
10,2,,121420-12511,, "ELEMENT, OUTER",1,,,,,,,,,,,,,  
12,2,,121422-12530,, "CUP, AIR CLEANER",1,,,,,,,,,,,,,  
13,2,,121420-12540,, "BAFFLE",1,,,,,,,,,,,,,  
14,2,,121420-12550,, "CLAMP ASSY",1,,,,,,,,,,,,,  
15,2,,121420-12561,, "NUT, WING",2,,,,,,,,,,,,,  
16,2,,121422-12570,, "ELEMENT, INNER",1,,,,,,,,,,,,,  
17,2,,121422-12580,, "VALVE, UNLOADER",1,,,,,,,,,,,,,  
18,2,,171061-12800,, "INDICATOR",1,,,,,,,,,,,,,  
19,1,,129403-12560,, "BRACKET, AIR CLEANER",1,,,,,,,,,,,,,  
20,2,,129403-12570,, "SEAT(A), RUBBER",2,,,,,,,,,,,,,  
21,2,,129403-12580,, "SEAT(B), RUBBER",4,,,,,,,,,,,,,  
23,2,,26013-080402,, "BOLT M 8X 40",2,,,,,,Z, TN-93056, FROWLST,,,,,  
24,1,,23000-070000,, "CLAMP 70",2,,,,,,,,,,,,,  
25,1,,26106-080122,, "BOLT M 8X 12 PLATED",4,,,,,,,,,,,,,  
26,1,,129403-12090,, "PIPE(B), INTAKE",1,,,,,,,,,,,,,  
27,1,,23000-054000,, "CLAMP 54",1,,,,,,,,,,,,,  
28,1,,23000-060000,, "CLAMP 60",1,,,,,,,,,,,,,



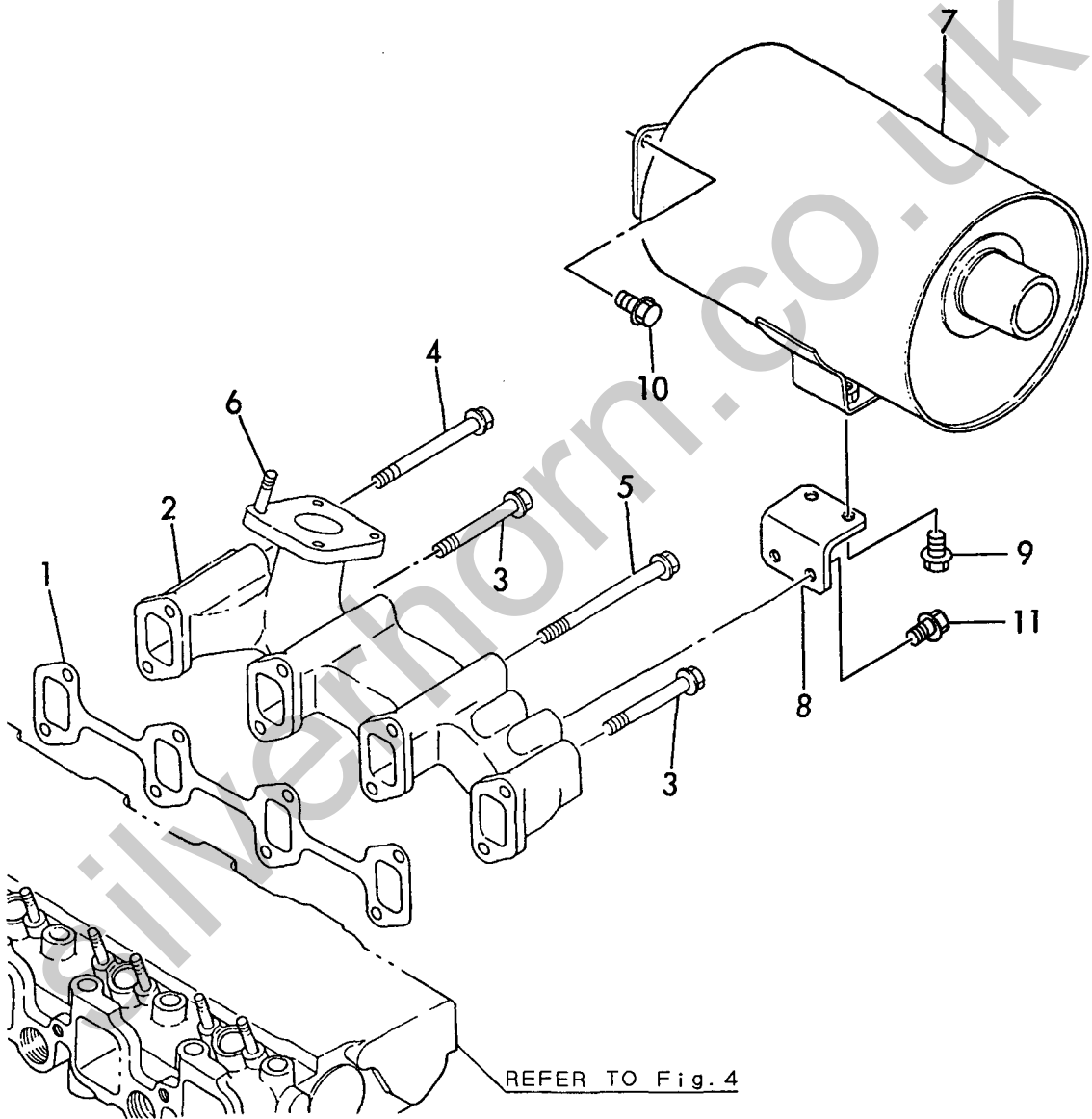
Fig. 5 SUC. MANIFOLD & AIR CLEANER



1,1,,129550-13110,, "GASKET, EXH.MANIFOLD",1,,,,,,,,A,,,,,,,,,  
2,1,,129403-13120,, "MANIFOLD, EXHAUST",1,,,,,,,,,  
3,1,,26106-080652,, "BOLT M 8X 65 PLATED",3,,,,,,,,,  
4,1,,26106-080852,, "BOLT M 8X 85 PLATED",1,,,,,,,,,  
5,1,,26106-081002,, "BOLT M 8X100 PLATED",4,,,,,,,,,  
6,1,,26216-080222,, "STUD M 8X 22 PLATED",4,,,,,,,,,  
6-1,1,,119131-18320,, "BOLT M 8X 22",4,,,,,,N,,TE-97467,E/#28983,,,,,,  
7,1,,129484-13520,, SILENCER,1,,,,,,,,,  
7-1,1,,129484-13510,, SILENCER,1,,,,,,N,,TN-93451,E/#19067,,,,,,  
8,1,,129403-13540,, "SUPPORT, SILENCER",1,,,,,,,,,  
9,1,,26106-080142,, "BOLT M 8X 14 PLATED",2,,,,,,,,,  
10,1,,26106-080202,, "BOLT M 8X 20 PLATED",4,,,,,,,,,  
11,1,,26106-080202,, "BOLT M 8X 20 PLATED",2,,,,,,,,,

Silverhorn.CO.UK

Fig. 6 EXH. MANIFOLD & SILENCER

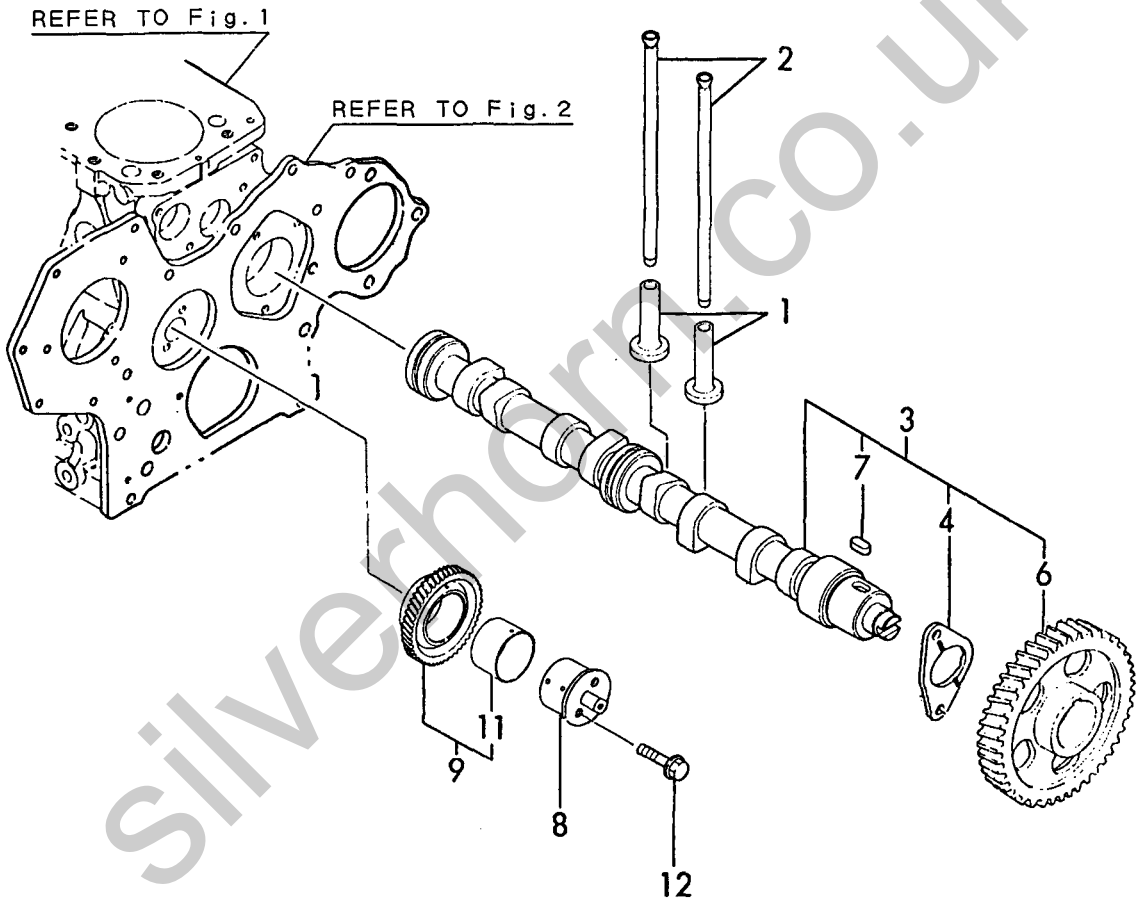


REFER TO Fig. 4

1,1,,129150-14200,,TAPPET,8,,,,,,,,,,,,,  
2,1,,129150-14400,, "ROD, PUSH",8,,,,,,,,,,,,,  
3,1,,729402-14580,, "CAMSHAFT ASSY",1,,,,,,,,,,,,,  
4,2,,129150-02450,, "METAL,THRUST",1,,,,,,,,,,,,,  
6,2,,129150-14101,, "GEAR, CAMSHAFT",1,,,,,,,,,,,,,  
7,2,,22512-070140,, "KEY 7X 14",1,,,,,,,,,,,,,  
8,1,,129100-25061,, "SHAFT, IDLE GEAR",1,,,,,,,,,,,,,  
9,1,,129150-25101,, "GEAR W/BUSH",1,,,,,,,,,,,,,  
11,2,,129150-25061,, "BUSH, IDLE GEAR",1,,,,,,,,,,,,,  
12,1,,26106-080452,, "BOLT M 8X 45 PLATED",2,,,,,,,,,,,,,

Silverhorn.CO.UK

# Fig. 7 CAMSHAFT & DRIVING GEAR

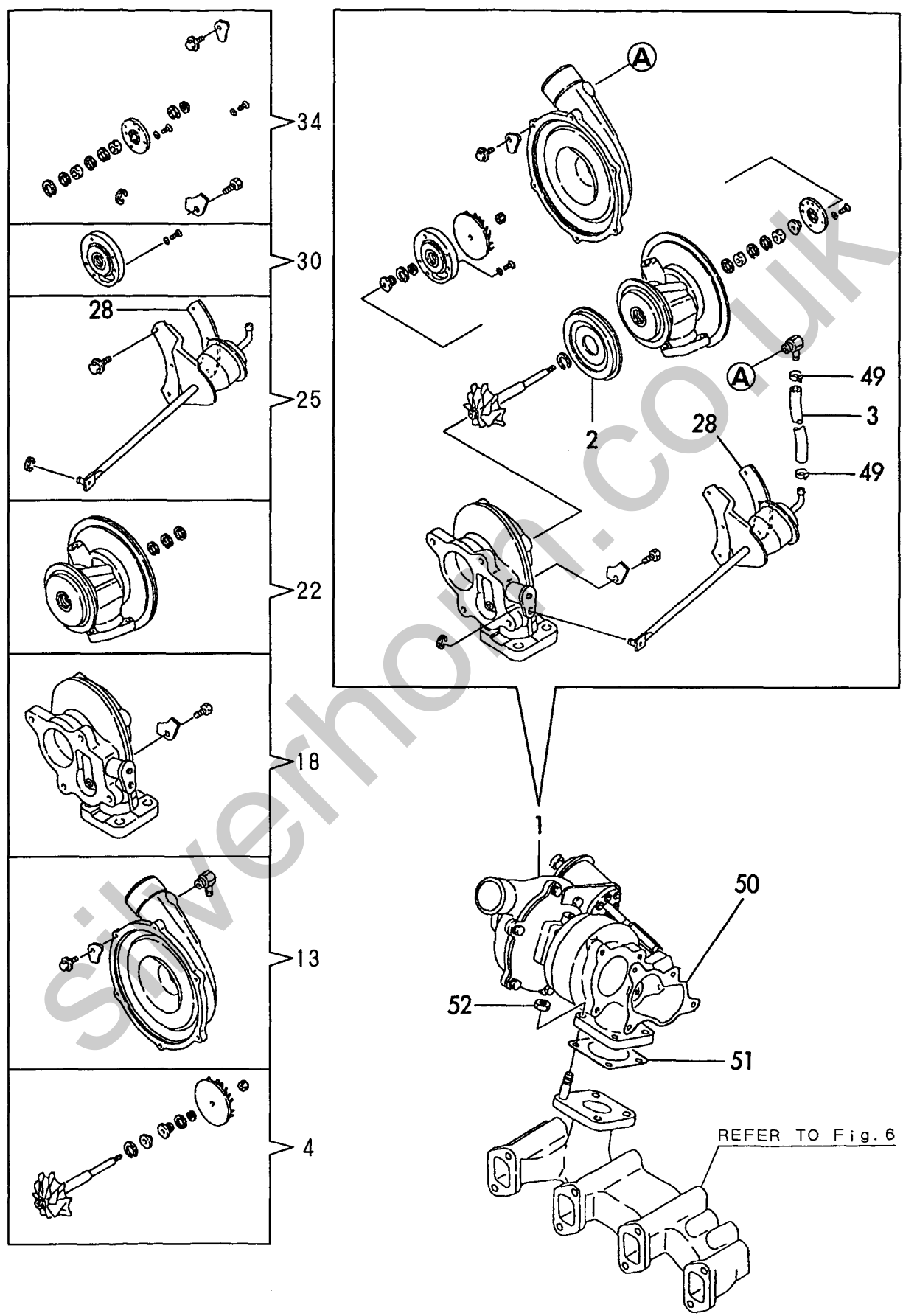


1,1,,129404-18020,, "TURBO CHARGER",1,,,,,,,,,,,,,  
2,2,,129404-18720,, "PROTECTOR, HEAT",1,,,,,,,,,,,,,  
3,2,,129404-18750,, HOSE,1,,,,,,,,,,,,,  
4,2,,129404-18770,, "ROTOR SET, TURBINE",1,,,,,,,,,,,,,  
13,2,,129404-18780,, "HOUSING SET, BLOWER",1,,,,,,,,,,,,,  
18,2,,129404-18790,, "HOUSING SET, TURBINE",1,,,,,,,,,,,,,  
22,2,,129404-18800,, "HOUSING SET, BEARING",1,,,,,,,,,,,,,  
25,2,,129404-18811,, "CONTROL ASSY",1,,,,,,,,,,,,,  
28,3,,129404-18760,, SPACER,3,,,,,,,,,,,,,  
30,2,,129404-18820,, PLATE,1,,,,,,,,,,,,,  
34,2,,129404-18830,, "OVERHAUL KIT",1,,,,,,,,,,,,,  
49,2,,23080-012000,, "CLAMP 12",2,,,,,,,,,,,,,  
50,1,,129403-18080,, "GASKET, TURBO OUT",1,,,,,A,,,,,  
50-1,1,,129403-18081,, "GASKET, TURBO OUT",1,,,,,N,A,TN-95628,E/#28121,,,,,  
51,1,,129322-18100,, GASKET,1,,,,,A,,,,,  
52,1,,194990-22050,, "NUT W/WASHER 8",4,,,,,,,,,,,,,

Silverhorn.CO.UK



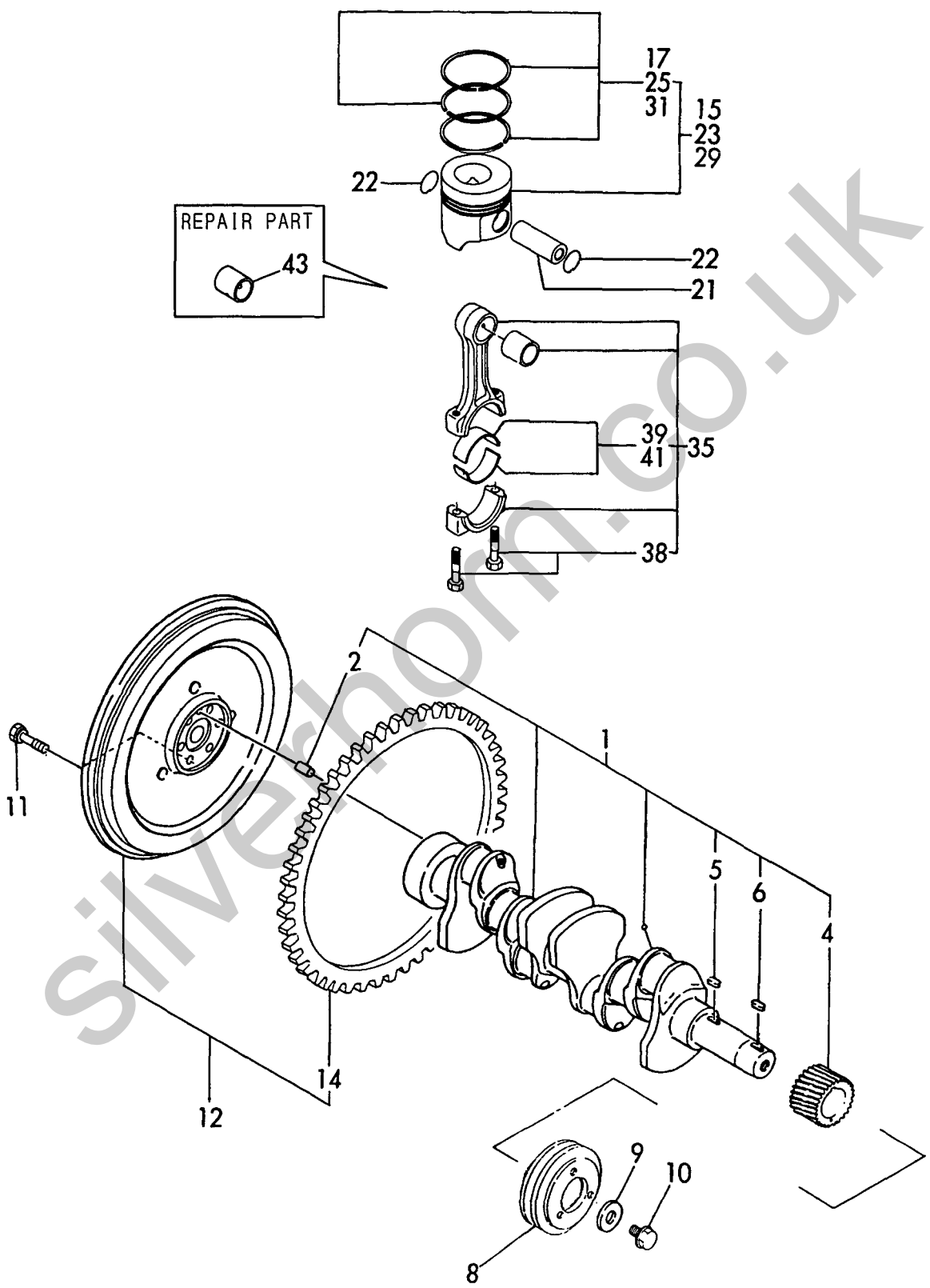
Fig. 8 TURBOCHARGER



1,1,,729406-21710,, "CRANKSHAFT ASSY",1,,,,,,,,,,,,,  
2,2,,129100-01580,, "PARALLEL PIN 8X16",1,,,,,,,,,,,,,  
4,2,,129150-21200,, "GEAR, CRANKSHAFT",1,,,,,,,,,,,,,  
5,2,,22512-070140,, "KEY 7X 14",1,,,,,,,,,,,,,  
6,2,,22512-070160,, "KEY 7X 16",1,,,,,,,,,,,,,  
8,1,,171301-21650,, "V-PULLEY, CRANKSHAFT",1,,,,,,,,,,,,,  
9,1,,129795-21661,, "WASHER",1,,,,,,,,,,,,,  
10,1,,121850-21680,, "BOLT, V-PULLEY",1,,,,,,,,,,,,,  
11,1,,121111-21501,, "BOLT, FLYWHEEL",6,,,,,,,,,,,,,  
12,1,,129403-21590,, "FLYWHEEL ASSY",1,,,,,,,,,,,,,  
14,2,,124550-21600,, "RING GEAR",1,,,,,,,,,,,,,  
15,1,,129105-22090,, "PISTON W/RING",4,,,,,,,,,,,,,  
17,2,,729105-22500,, "RING SET, PISTON",4,,,,,,,,,,,,,  
21,1,,129150-22300,, "PIN, PISTON",4,,,,,,,,,,,,,  
22,1,,121100-22400,, "CIRCLIP",8,,,,,,,,,,,,,  
23,1,,729105-22910,, "PISTON W/RING OS=.25",4,,,,,,,,,1,,,,,,,,,  
25,2,,729105-22951,, "RING SET O.S=0.25",4,,,,,,,,,1,,,,,,,,,  
29,1,,129105-22920,, "PISTON W/RING OS=0.5",4,,,,,,,,,2,,,,,,,,,  
31,2,,129105-22970,, "RING SET O.S=0.50",4,,,,,,,,,2,,,,,,,,,  
35,1,,729402-23100,, "ROD ASSY, CONNECTING",4,,,,,,,,,,,,,  
38,2,,121550-23200,, "BOLT, CONNECTING ROD",8,,,,,,,,,,,,,  
39,2,,129150-23600,, "BEARING, CRANKPIN",4,,,,,,,,,,,,,  
41,1,,129150-23610,, "METAL.PIN US=0.25",4,,,,,,,,,3,,,,,,,,,  
43,1,,129100-23910,, "BUSH, PISTON PIN",4,,,,,,,,,4,,,,,,,,,

Silverhorn.CO.UK

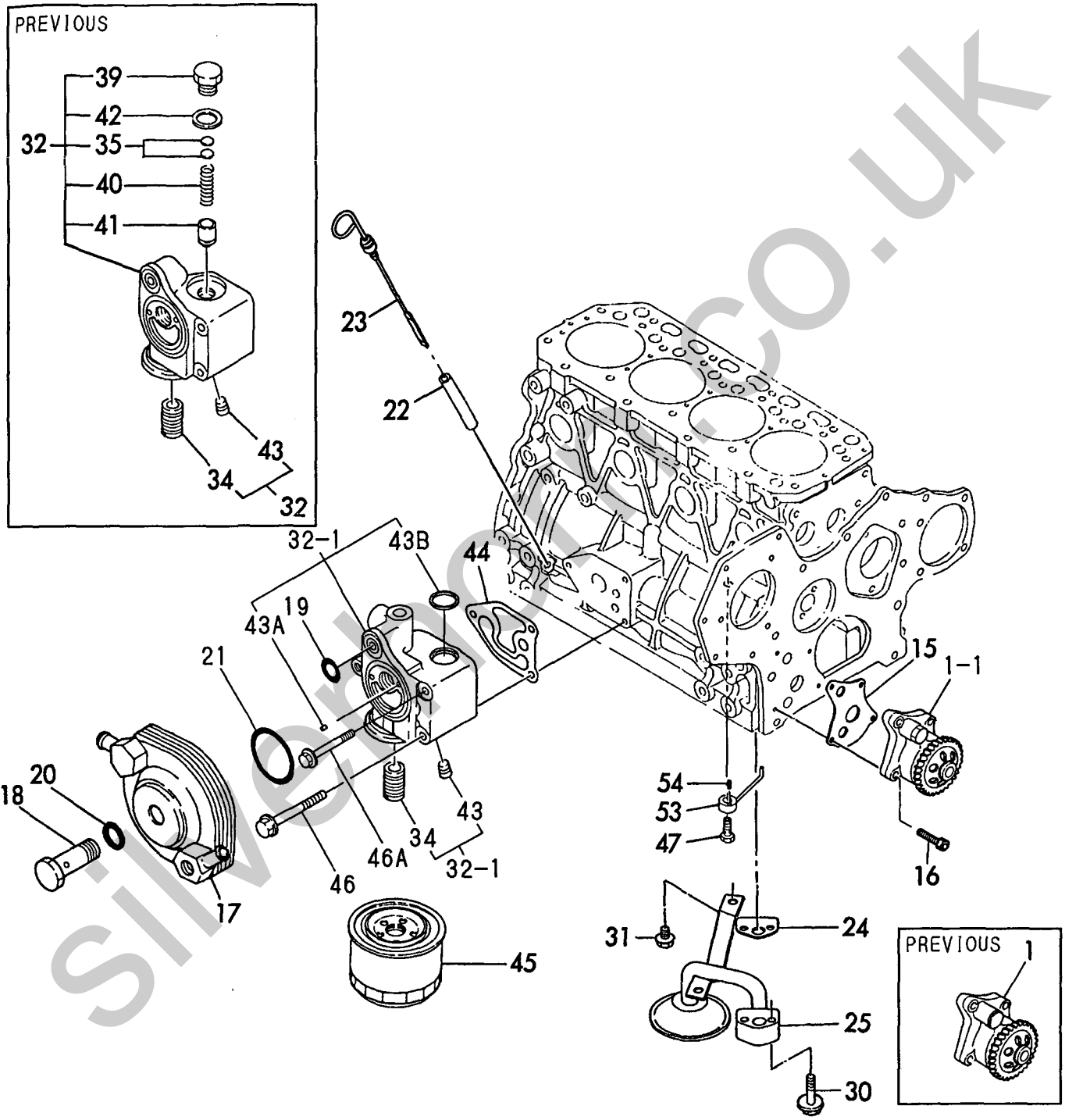
Fig. 9 CRANKSHAFT & PISTON



1,1,,129553-32000,, "PUMP,(NOT SOLD)",1,,,,,,,,,,,,,  
 1-1,1,,129418-32000,, "PUMP ASSY, LUB. OIL",1,,,,,,S,,TE-94029,E/#23044,,,,,,  
 15,1,,129150-32020,, "GASKET, L.O. PUMP",1,,,,,,A,,,,,  
 16,1,,26450-060252,, "BOLT M 6X 25",4,,,,,,,,,,,,,  
 17,1,,129103-33031,, "COOLER, LUB. OIL",1,,,,,,,,,,,,,  
 18,1,,129103-33132,, BOLT,1,,,,,,,,,,,,,  
 19,1,,24311-000200,, "O-RING 1A P-20.0",1,,,,,,,,,,,,,  
 20,1,,24311-000210,, "O-RING 1A P-21.0",1,,,,,,,,,,,,,  
 21,1,,24321-000550,, "O-RING 1A G-55.0",1,,,,,,,,,,,,,  
 22,1,,121520-34810,, "GUIDE, DIPSTICK",1,,,,,,,,,,,,,  
 23,1,,129403-34800,, "DIPSTICK, LUB. OIL",1,,,,,,,,,,,,,  
 24,1,,129150-35041,, "GASKET, (NON-ASB.)",1,,,,,,A,,,,,  
 25,1,,129403-35090,, "PIPE, OIL INLET",1,,,,,,,,,,,,,  
 30,1,,26106-080352,, "BOLT M 8X 35 PLATED",2,,,,,,,,,,,,,  
 31,1,,26106-080122,, "BOLT M 8X 12 PLATED",2,,,,,,,,,,,,,  
 32,1,,129103-35101,, "BRACKET ASSY, FILTER",1,,,,,,,,,,,,,  
 32-1,1,,129418-35100,, "BRACKET ASSY",1,,,,,,S,,TE-94029,E/#23044,,,,,,  
 34,2,,129100-35140,, STUD,1,,,,,,,,,,,,,  
 35,2,,121850-35200,, "SHIM SET",1,,,,,,Z,,TE-94029,E/#23044,,,,,,  
 39,2,,124223-35510,, RETAINER,1,,,,,,Z,,TE-94029,E/#23044,,,,,,  
 40,2,,121850-35520,, "SPRING, VALVE",1,,,,,,Z,,TE-94029,E/#23044,,,,,,  
 41,2,,121850-35531,, VALVE,1,,,,,,Z,,TE-94029,E/#23044,,,,,,  
 42,2,,23414-180000,, "GASKET 18, ROUND",1,,,,,,Z,,TE-94029,E/#23044,,,,,,  
 43,2,,23871-020000,, "PLUG PT1/4, SCREW",1,,,,,,Z,,TE-94029,E/#23044,,,,,,  
 43A,2,,22312-060080,, "PARALLEL PIN 6X 8",2,,,,,,W,,TE-94029,E/#28488,,,,,,  
 43B,2,,27241-200000,, "PLUG 20",1,,,,,,W,,TE-94029,E/#28488,,,,,,  
 44,1,,129103-35122,, "GASKET, (NON-ASB.)",1,,,,,,A,,,,,  
 45,1,,129150-35151,, "FILTER 80X80L",1,,,,,,,,,,,,,  
 46,1,,26106-080752,, "BOLT M 8X 75 PLATED",3,,,,,,,,,,,,,  
 46-1,1,,26106-080752,, "BOLT M 8X 75 PLATED",2,,,,,,K,,TE-97295,E/#28488,,,,,,  
 46A,1,,26106-080702,, "BOLT M 8X 70 PLATED",1,,,,,,W,,TE-97295,E/#28488,,,,,,  
 47,1,,129792-39410,, "VALVE ASSY, CHECK",4,,,,,,,,,,,,,  
 53,1,,129553-39650,, NOZZLE,4,,,,,,,,,,,,,  
 54,1,,22351-030010,, "SPRING PIN 3X10",4,,,,,,,,,,,,,



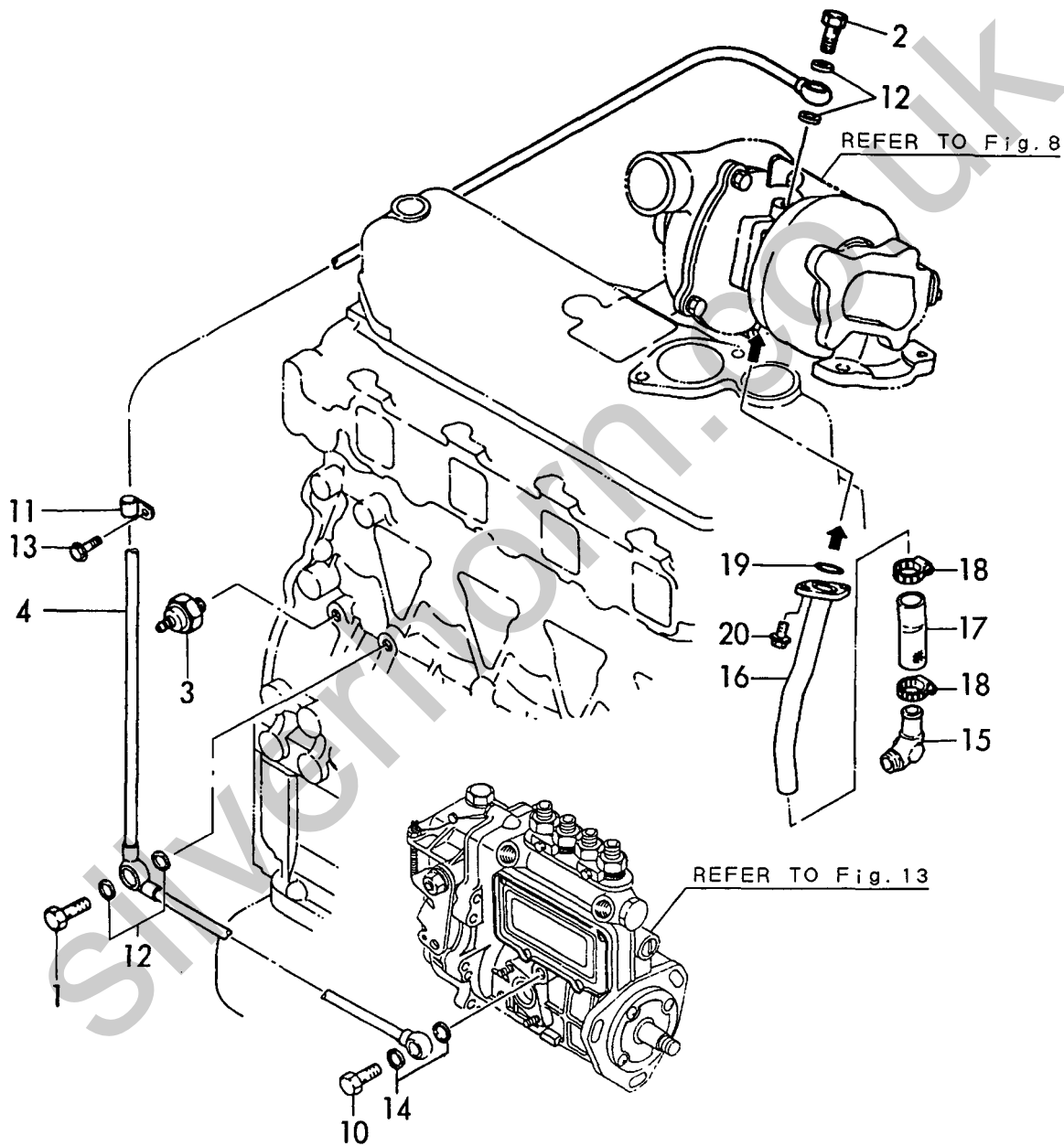
# Fig. 10 LUB. OIL SYSTEM



1,1,,124160-39140,, "BOLT 10, PIPE JOINT",1,,,,,,,,,,,,,  
2,1,,121252-39150,, "BOLT, PIPE JOINT",1,,,,,,,,,,,,,  
3,1,,124160-39450,, "SWITCH, OIL PRESSURE",1,,,,,,,,,,,,,  
4,1,,129403-39460,, "PIPE ASSY, LO",1,,,,,,,,,,,,,  
10,1,,124550-59820,, "BOLT 8, PIPE JOINT",1,,,,,,,,,,,,,  
11,1,,124223-39900,, "RETAINER",1,,,,,,,,,,,,,  
12,1,,23414-100000,, "GASKET 10, ROUND",4,,,,,,,,,,,,,  
13,1,,26106-080102,, "BOLT M 8X 10 PLATED",1,,,,,,,,,,,,,  
14,1,,43400-500410,, "SEAL WASHER 8S",2,,,,,,,,,,,,,  
14-1,1,,22190-080002,, "SEAL WASHER 8S",2,,,,,,R,,TN-93179,E/#20469,,,,,,  
15,1,,124070-13300,, "ELBOW (PT3/8)",1,,,,,,,,,,,,,  
16,1,,129503-39600,, "PIPE, LUB.OIL RETURN",1,,,,,,,,,,,,,  
17,1,,129506-39610,, "JOINT, RUBBER",1,,,,,,,,,,,,,  
18,1,,23000-025000,, "CLAMP 25",2,,,,,,,,,,,,,  
19,1,,24314-000160,, "O-RING 4C P-16.0",1,,,,,,,,,,,,,  
20,1,,26106-060162,, "BOLT M 6X 16 PLATED",2,,,,,,,,,,,,,

Silverhorn.CO.UK

Fig. 11 LUB. OIL PIPE

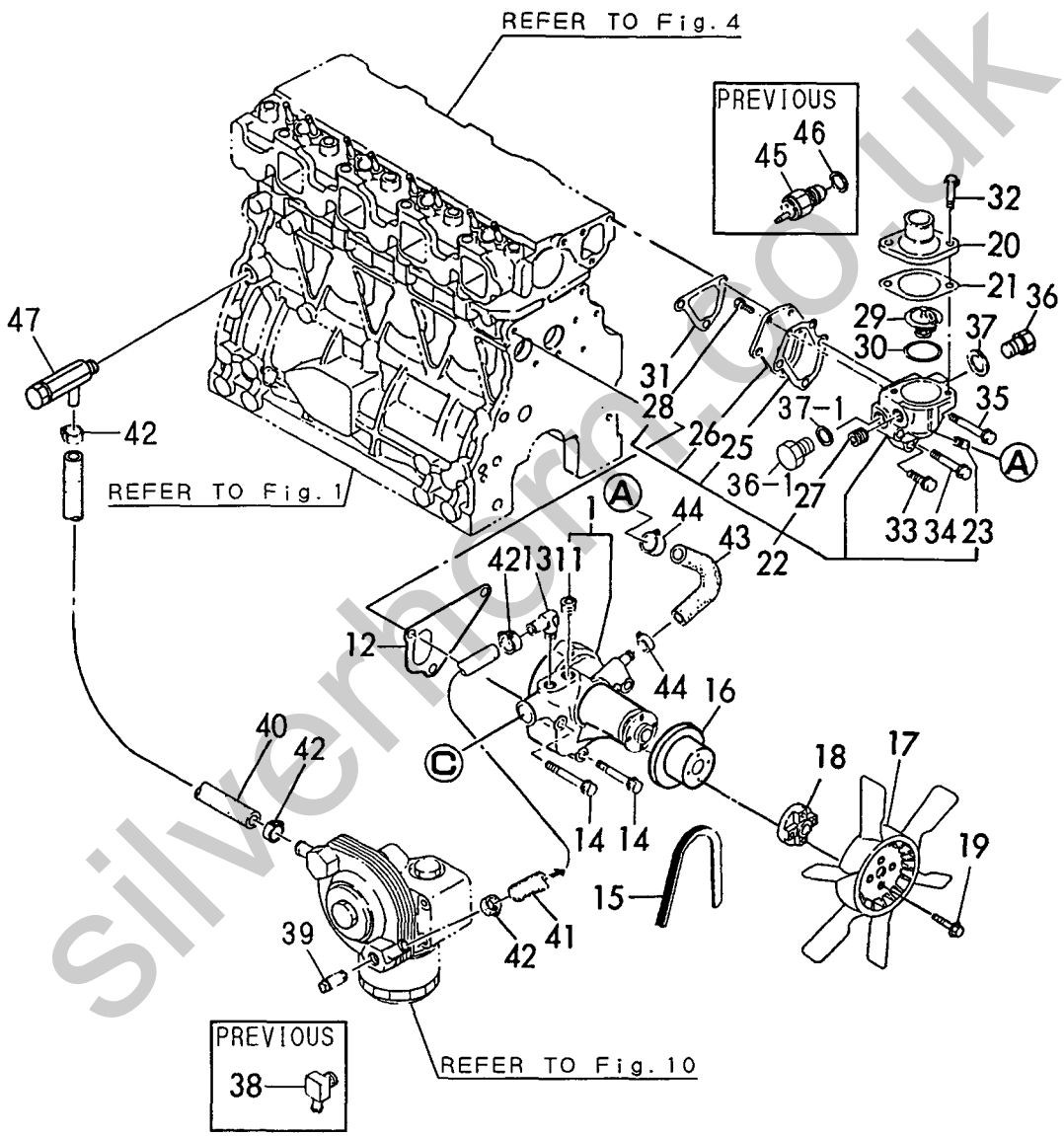


1,1,,129100-42002,, "PUMP,C.W.(NON-ASB.)",1,,,,,,,,,,,,,  
 1-1,1,,129100-42003,, "PUMP ASSY, C.WATER",1,,,,,,N,,TN-96219,E/#28121,,,,,,,,,  
 11,2,,23871-030000,, "PLUG PT3/8,SCREW",1,,,,,,,,,,,,,  
 12,1,,129100-42020,, "GASKET, C.W. PUMP",1,,,,,,A,,,,,,,,,  
 13,1,,129103-49301,, "ELBOW PT 1/4",1,,,,,,,,,,,,,  
 14,1,,26106-080602,, "BOLT M 8X 60 PLATED",3,,,,,,,,,,,,,  
 15,1,,119865-42290,, "V-BELT (A:36.5)",1,,,,,,,,,,,,,  
 16,1,,129403-42380,, "V-PULLEY(D=110)",1,,,,,,,,,,,,,  
 17,1,,129432-44740,, "FAN,COOLING (D370\*EF)",1,,,,,,,,,,,,,  
 18,1,,121267-44760,, "SPACER",1,,,,,,,,,,,,,  
 19,1,,26014-060302,, "BOLT W/WASHER 6X 30",4,,,,,,,,,,,,,  
 20,1,,129350-49530,, "COVER, THERMOSTAT",1,,,,,,,,,,,,,  
 21,1,,129795-49551,, "GASKET, (NON-ASB.)",1,,,,,,A,,,,,,,,,  
 22,1,,129100-49800,, "CASE ASSY,THERMOSTAT",1,,,,,,,,,,,,,  
 23,2,,124770-11770,, "JOINT PT1/8",1,,,,,,,,,,,,,  
 25,2,,129100-49820,, "GASKET, COVER",1,,,,,,,,,,,,,  
 26,2,,129100-49830,, "COVER,THERMOST.CASE",1,,,,,,,,,,,,,  
 27,2,,23871-030000,, "PLUG PT3/8,SCREW",1,,,,,,,,,,,,,  
 28,2,,26116-060162,, "BOLT 6X16",2,,,,,,,,,,,,,  
 29,1,,129155-49800,, "THERMOSTAT",1,,,,,,,,,,,,,  
 30,1,,129150-49811,, "GASKET, (NON-ASB.)",1,,,,,,A,,,,,,,,,  
 31,1,,129100-49840,, "GASKET, THERMO. CASE",1,,,,,,A,,,,,,,,,  
 32,1,,26106-080202,, "BOLT M 8X 20 PLATED",2,,,,,,,,,,,,,  
 33,1,,26106-080252,, "BOLT M 8X 25 PLATED",1,,,,,,,,,,,,,  
 34,1,,26106-080502,, "BOLT M 8X 50 PLATED",1,,,,,,,,,,,,,  
 35,1,,26106-080602,, "BOLT M 8X 60 PLATED",1,,,,,,,,,,,,,  
 36,1,,121450-42450,, "PLUG M16",1,,,,,,,,,,,,,  
 36-1,1,,121450-42450,, "PLUG M16",2,,,,,,K,,TN-94637,E/#23896,,,,,,,,,  
 37,1,,124465-44950,, "GASKET 16",1,,,,,,A,,,,,,,,,  
 37-1,1,,124465-44950,, "GASKET 16",2,,,,,,K,A,TN-94637,E/#23896,,,,,,,,,  
 38,1,,121750-49110,, "JOINT",1,,,,,,Z,\*EXXX,,,,,,,,,  
 39,1,,129122-44480,, "JOINT",1,,,,,,,,,,,,,  
 40,1,,129403-49031,, "PIPE,CYL-LO.COOLER",1,,,,,,,,,,,,,  
 41,1,,129403-49050,, "PIPE,COOLER-C.W.PUMP",1,,,,,,,,,,,,,  
 42,1,,23000-022000,, "CLAMP 22",4,,,,,,,,,,,,,  
 43,1,,129100-49050,, "PIPE, C.W. (BY-PASS)",1,,,,,,,,,,,,,  
 43-1,1,,129132-49050,, "PIPE, COOLING WATER",1,,,,,,N,,TN-94141,E/#23044,,,,,,,,,  
 44,1,,23000-016000,, "CLAMP 16",2,,,,,,,,,,,,,  
 45,1,,124250-49351,, "THERMOMETER",1,,,,,,Z,,TN-94637,E/#23896,,,,,,,,,  
 46,1,,129150-49360,, "GASKET 10",1,,,,,,Z,,TN-94637,E/#23896,,,,,,,,,  
 47,1,,129116-49290,, "COCK 1/4 ASSY",1,,,,,,,,,,,,,



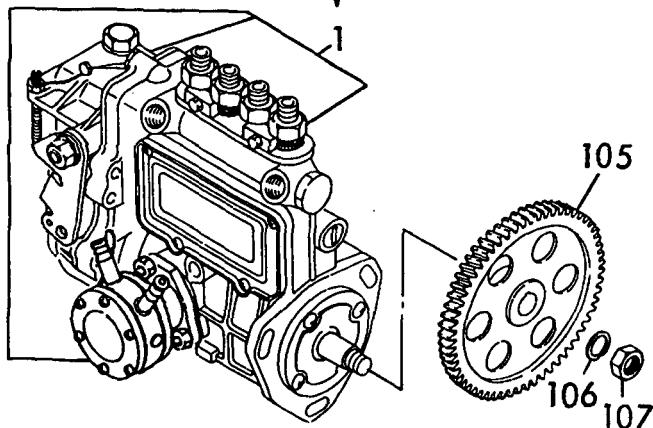
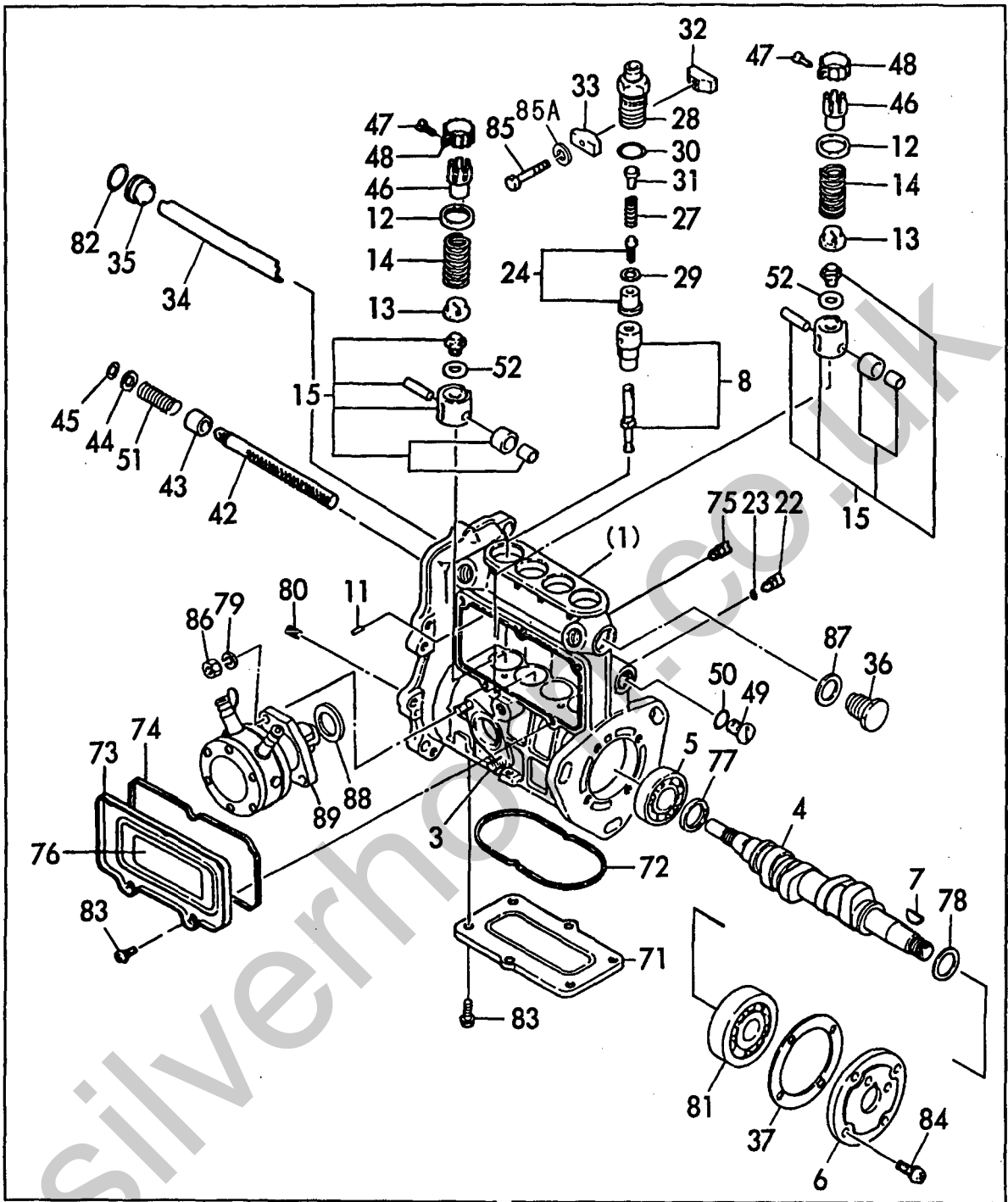


# Fig. 12 COOLING WATER SYSTEM



1,1,,729465-51370,, "PUMP ASSY,F.I.INJECT",1,,,,,,,,,1,,,,,,,,,  
3,2,,129155-51020,, "STUD, FEED PUMP",2,,,,,,,,,  
4,2,,129470-51040,, CAMSHAFT,1,,,,,,,,,  
5,2,,129155-51050,, "BALL BEARING, THRUST",1,,,,,,,,,  
6,2,,129155-51060,, "CAM SHAFT SUPPORT",1,,,,,,,,,  
7,2,,122710-51090,, KEY,1,,,,,,,,,  
8,2,,129506-51100,, "PLUNGER W/BARREL",4,,,,,,,,,  
11,2,,129155-51140,, "PIN, BARREL LOCKING",4,,,,,,,,,  
12,2,,174307-51170,, "RETAINER A",4,,,,,,,,,  
13,2,,129155-51180,, "SPRING SHOE, PLUNGER",4,,,,,,,,,  
14,2,,124950-51190,, "SPRING, PLUNGER",4,,,,,,,,,  
15,2,,129155-51200,, "TAPPET ASSY",4,,,,,,,,,  
22,2,,129155-51270,, "LOCKING, TAPPET",4,,,,,,,,,  
23,2,,129155-51280,, "O-RING S6",4,,,,,,,,,  
24,2,,129100-51300,, "VALVE W/SEAT, DELIV.",4,,,,,,,,,  
27,2,,129155-51320,, "SPRING, DELIV. VALVE",4,,,,,,,,,  
28,2,,129155-51340,, "GUARD,DELIVERY VALVE",4,,,,,,,,,  
29,2,,124550-51350,, "GASKET, DELIVERY",4,,,,,,,,,  
30,2,,124550-51370,, "O-RING, DELIVERY",4,,,,,,,,,  
31,2,,129155-51370,, "STOPPER, VALVE",4,,,,,,,,,  
32,2,,129155-51380,, "LOCKING (A)",2,,,,,,,,,  
33,2,,129155-51390,, "LOCKING (B)",2,,,,,,,,,  
34,2,,129555-51400,, DEFLECTER,1,,,,,,,,,  
35,2,,129155-51410,, "CHECK BOLT,DEFLECTOR",1,,,,,,,,,  
36,2,,129155-51420,, "PLUG (M16)",1,,,,,,,,,  
37,2,,129155-51450,, "SHIM SET, ADJUSTING",1,,,,,,,,,  
42,2,,129555-51500,, "RACK, CONTROL",1,,,,,,,,,  
43,2,,129155-51521,, "BUSH, RACK",1,,,,,,,,,  
44,2,,129155-51530,, "SPACER, AUX. SPRING",1,,,,,,,,,  
45,2,,129155-51540,, CIRCLIP,1,,,,,,,,,  
46,2,,129155-51550,, "PINION, CONTROL",4,,,,,,,,,  
47,2,,122117-51560,, "SCREW, PINION",4,,,,,,,,,  
48,2,,174307-51560,, PINION,4,,,,,,,,,  
49,2,,129155-51570,, "PLUG (M12)",1,,,,,,,,,  
50,2,,129155-51580,, O-RING,1,,,,,,,,,  
51,2,,129155-51591,, "SPRING, RACK",1,,,,,,,,,  
52,2,,129155-51600,, "SHIM PACK",4,,,,,,,,,  
71,2,,129555-51700,, COVER,1,,,,,,,,,  
72,2,,129555-51710,, GASKET,1,,,,,,,,,  
73,2,,129555-51750,, "COVER, SIDE",1,,,,,,,,,  
74,2,,129555-51760,, GASKET,1,,,,,,,,,  
75,2,,129155-51790,, "LOCKING, RACK",1,,,,,,,,,  
76,2,,129156-51910,, "LABEL, CAUTION",1,,,,,,,,,  
77,2,,129155-51930,, "SPACER T=3.25",1,,,,,,,,,  
78,2,,129155-51940,, "SPACER T=1.5",1,,,,,,,,,  
79,2,,22217-060000,, "SPRING WASHER 6",2,,,,,,,,,  
80,2,,22351-050010,, "SPRING PIN 5X10",2,,,,,,,,,  
81,2,,24101-063034,, "BALL BEARING",1,,,,,,,,,  
82,2,,24341-000160,, "O-RING 1A S-16.0",1,,,,,,,,,  
83,2,,26022-050102,, "SCREW M 5X 10",11,,,,,,,,,  
84,2,,26022-060162,, "SCREW M 6X 16",4,,,,,,,,,  
85,2,,26116-050302,, "BOLT M 5X 30 PLATED",2,,,,,,,,,  
85A,2,,22217-050000,, "SPRING WASHER 5",2,,,,,W,\*EXXX,,,,,  
86,2,,26716-060002,, "NUT 6",2,,,,,,,,,  
87,2,,43400-500490,, "SEAL WASHER 16S",1,,,,,,,,,  
87-1,2,,22190-160002,, "SEAL WASHER 16S",1,,,,,R,,TN-93179,E/#20469,,,,,  
88,2,,129155-52050,, GASKET,1,,,,,,,,,  
89,2,,129158-52100,, "FEED PUMP ASSY",1,,,,,,,,,  
105,1,,129150-25900,, "GEAR, FUEL INJ. PUMP",1,,,,,,,,,  
106,1,,22217-120000,, "SPRING WASHER",1,,,,,,,,,  
107,1,,26716-120002,, "NUT 12",1,,,,,,,,,

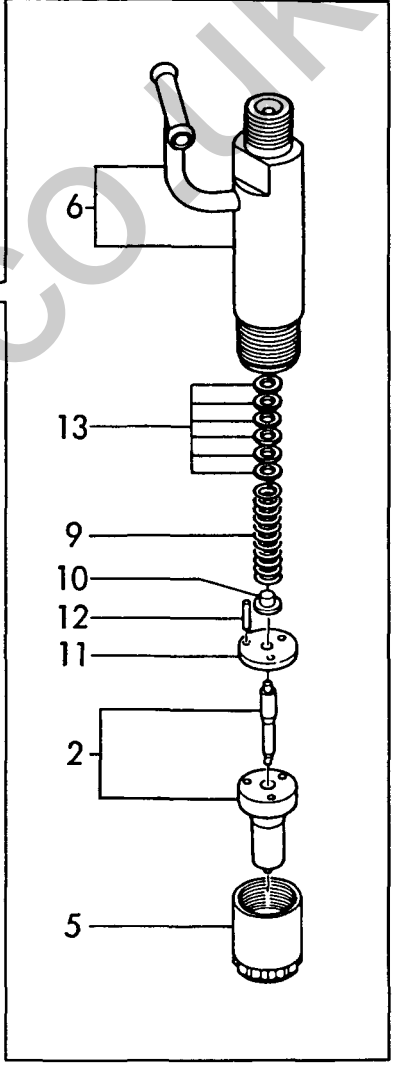
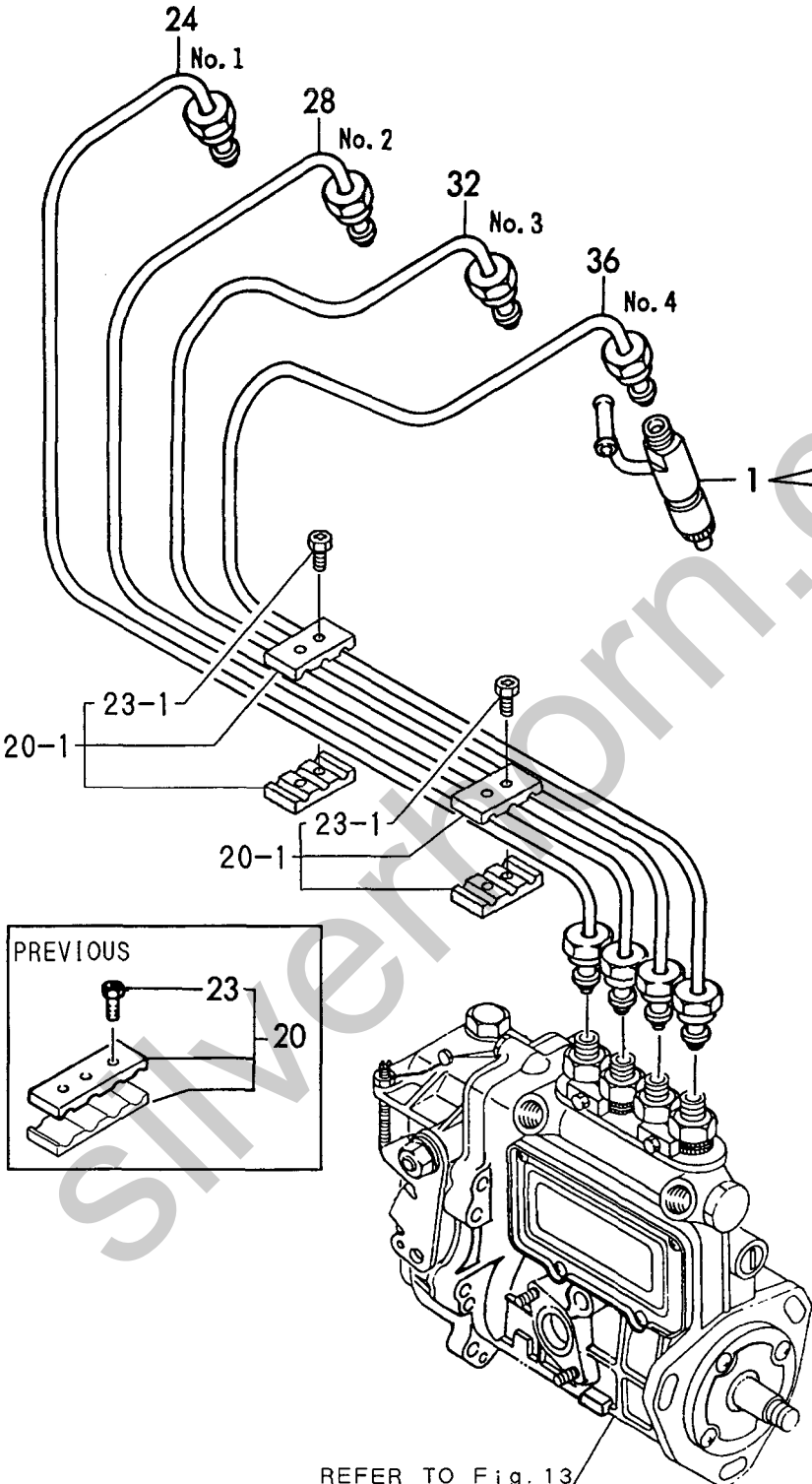
Fig. 13 FUEL INJECTION PUMP



1,1,,729503-53200,, "VALVE ASSY, F.INJECT",4,,,,,,,,,,,,,  
2,2,,129503-53050,, "NOZZLE ASSY,F.INJECT",4,,,,,,,,,,,,,  
5,2,,114250-53080,, "NUT, NOZZLE CASE",4,,,,,,,,,,,,,  
6,2,,129100-53100,, "HOLDER ASSY, NOZZLE",4,,,,,,,,,,,,,  
9,2,,114250-53120,, "SPRING, NOZZLE",4,,,,,,,,,,,,,  
10,2,,114250-53130,, "SEAT, NOZZLE SPRING",4,,,,,,,,,,,,,  
11,2,,114250-53140,, "PLATE, STOP",4,,,,,,,,,,,,,  
12,2,,114250-53210,, PIN,8,,,,,,,,,,,,,  
13,2,,114250-53400,, "SHIM PACK",4,,,,,,,,,,,,,  
20,1,,129550-59120,, RETAINER,1,,,,,,,,,,,,,  
20-1,1,,129150-59120,, "RETAINER, INJ. PIPE",2,,,,,N,,TE-93076,E/#23044,,,,,  
23,2,,129150-59130,, "BOLT M 4X 12",2,,,,,,,,,,,,,  
23-1,2,,129150-59131,, "BOLT M4X14,HEX.SCKT.",4,,,,,N,,TE-93076,E/#23044,,,,,  
24,1,,129400-59910,, "PIPE, FUEL INJECTION",1,,,,,,,,,,,,,  
28,1,,129400-59920,, "PIPE, FUEL INJECTION",1,,,,,,,,,,,,,  
32,1,,129400-59930,, "PIPE, FUEL INJECTION",1,,,,,,,,,,,,,  
36,1,,129400-59940,, "PIPE, FUEL INJECTION",1,,,,,,,,,,,,,

Silverhorn.CO.UK

# Fig. 14 FUEL INJECTION VALVE



REFER TO Fig. 13

1,1,,103854-39140,, "BOLT, PIPE JOINT",1,,,,,,,,,,,,,  
2,1,,101304-59020,, "JOINT 12, PIPE",1,,,,,,,,,,,,,  
3,1,,124766-59050,, "CLAMP 12",2,,,,,,Z,,TE-98382,E/#29028,,,,,  
4,1,,104200-59170,, "GASKET 12",2,,,,,,,,,,,,,  
4-1,1,,22190-120002,, "SEAL WASHER 12",2,,,,,,N,,TN-96072,E/#28121,,,,,  
5,1,,129555-59510,, "PIPE, FUEL",1,,,,,,Z,,TE-98382,E/#29028,,,,,  
6,1,,105025-59530,, "FUEL OIL PIPE",1,,,,,,Z,,TE-98382,E/#29028,,,,,  
7,1,,124766-59050,, "CLAMP 12",2,,,,,,Z,,TE-98382,E/#29028,,,,,  
8,1,,124066-59100,, "CLAMP 8",9,,,,,,,,,,,,,  
9,1,,105025-59530,, "FUEL OIL PIPE",1,,,,,,Z,,TE-98382,E/#29028,,,,,  
10,1,,121250-59550,, "PIPE, FUEL",3,,,,,,,,,,,,,  
11,1,,119840-59560,, "PIPE, FUEL RETURN",1,,,,,,,,,,,,,  
12,1,,119840-59570,, "JOINT",1,,,,,,,,,,,,,  
13,1,,129150-59580,, "CAP",1,,,,,,,,,,,,,  
14,1,,129100-59951,, "VALVE ASSY, CHECK",1,,,,,,,,,,,,,  
22,1,,23414-120000,, "GASKET 12, ROUND",2,,,,,,,,,,,,,  
23,1,,129100-55621,, "STRAINER ASSY, FUEL",1,,,,,,,,,,,,,  
24,2,,104200-55321,, "VALVE, TAPER",1,,,,,,,,,,,,,  
25,2,,104200-55330,, "SPRING, TAPER VALVE",1,,,,,,,,,,,,,  
26,2,,129100-55650,, "ELEMENT, FUEL",1,,,,,,,,,,,,,  
28,2,,129100-55670,, "LEVER",1,,,,,,,,,,,,,  
29,2,,129100-55680,, "CUP, STRAINER",1,,,,,,,,,,,,,  
30,2,,129100-55690,, "RING, RETAINING",1,,,,,,,,,,,,,  
31,2,,129100-55700,, "SPRING",1,,,,,,,,,,,,,  
32,2,,104200-55750,, "SCREW M 4",1,,,,,,,,,,,,,  
33,2,,24311-000160,, "O-RING 1A P-16.0",1,,,,,,,,,,,,,  
34,2,,24311-240100,, "O-RING 1A P-10A",1,,,,,,,,,,,,,  
35,2,,24321-000650,, "O-RING 1A G-65.0",1,,,,,,,,,,,,,  
36,1,,124066-59100,, "CLAMP 8",1,,,,,,,,,,,,,  
37,1,,129150-59580,, "CAP",1,,,,,,,,,,,,,  
38,1,,26014-080702,, "BOLT W/WASHER M8X 70",1,,,,,,,,,,,,,  
39,1,,129335-55700,, "SEPARATOR, WATER",1,,,,,,,,,,,,,  
40,2,,104200-55321,, "VALVE, TAPER",1,,,,,,,,,,,,,  
41,2,,104200-55330,, "SPRING, TAPER VALVE",1,,,,,,,,,,,,,  
42,2,,104200-55341,, "HANDLE, COCK",1,,,,,,,,,,,,,  
43,2,,124064-55510,, "BOWL, FUEL STRAINER",1,,,,,,,,,,,,,  
44,2,,102103-55520,, "O-RING",1,,,,,,,,,,,,,  
45,2,,110250-55610,, "RING, RETAINING",1,,,,,,,,,,,,,  
46,2,,121257-55720,, "SPRING, SCREEN",1,,,,,,,,,,,,,  
47,2,,121257-55731,, "FLOAT",1,,,,,,,,,,,,,  
49,2,,101720-55750,, "PLUG 6",2,,,,,,,,,,,,,  
50,2,,104200-55750,, "SCREW M 4",1,,,,,,,,,,,,,  
51,2,,171081-55910,, "SCREEN",1,,,,,,,,,,,,,  
52,2,,23418-060000,, "GASKET 6, NYLON",2,,,,,,,,,,,,,  
53,2,,24311-240100,, "O-RING 1A P-10A",1,,,,,,,,,,,,,  
54,1,,129210-59040,, "PIPE ASSY, FUEL OIL",1,,,,,,W,,TE-98382,E/#29028,,,,,  
55,2,,124766-59050,, "CLAMP 12",2,,,,,,W,,TE-98382,E/#29028,,,,,  
57,1,,129210-59150,, "PIPE ASSY, FUEL OIL",1,,,,,,W,,TE-98382,E/#29028,,,,,  
58,2,,124766-59050,, "CLAMP 12",2,,,,,,W,,TE-98382,E/#29028,,,,,  
60,1,,129210-59150,, "PIPE ASSY, FUEL OIL",1,,,,,,W,,TE-98382,E/#29028,,,,,  
61,2,,124766-59050,, "CLAMP 12",2,,,,,,W,,TE-98382,E/#29028,,,,,



1,2,,129155-51280,, "O-RING S6",2,,,,,,,,,,,,,,,,,,,,,  
1-1,2,,129155-51280,, "O-RING S6",1,,,,,,K,M1-96069,E/#28121,,,,,,  
2,2,,129155-61012,, "CASE, GOVERNOR",1,,,,,,,,,,,,,,,,,,,,,  
2-1,2,,129155-61013,, CASE,1,,,,,,S,M1-96069,E/#28121,,,,,,  
3,2,,129155-61050,, "GASKET, GOV. CASE",1,,,,,,,,,,,,,,,,,,,,,  
4,2,,129155-61060,, "COVER, GOVERNOR CASE",1,,,,,,,,,,,,,,,,,,,,,  
5,2,,129155-61070,, "GASKET, CASE COVER",1,,,,,,,,,,,,,,,,,,,,,  
6,2,,129155-61120,, "LINK L=30(MARK 0)",1,,,,,,1,,,,,  
7,2,,129155-61130,, "LINK L=31(MARK 1)",1,,,,,,1,,,,,  
8,2,,129155-61140,, "LINK L=30.5(MARK 05)",1,,,,,,1,,,,,  
9,2,,129155-61201,, "WEIGHT ASSY, GOV.",1,,,,,,,,,,,,,,,,,,,,,  
13,2,,129155-61341,, SLEEVE,1,,,,,,2,,,,,  
14,2,,129155-61350,, SLEEVE,1,,,,,,2,,,,,  
15,2,,129155-61360,, SLEEVE,1,,,,,,2,,,,,  
16,2,,129100-61400,, "SHAFT ASSY, CONTROL",1,,,,,,,,,,,,,,,,,,,,,  
19,2,,129155-61430,, "SPACER, SHAFT",1,,,,,,,,,,,,,,,,,,,,,  
23,2,,129100-61440,, "LEVER, CONTROL",1,,,,,,,,,,,,,,,,,,,,,  
24,2,,129155-61450,, "BOLT, REVOL. LIMIT",1,,,,,,,,,,,,,,,,,,,,,  
25,2,,129155-61460,, "BOLT, IDLE LIMIT",1,,,,,,,,,,,,,,,,,,,,,  
26,2,,129155-61480,, "SPACER ASSY",2,,,,,,,,,,,,,,,,,,,,,  
31,2,,129155-61490,, "SHAFT, GOV. LEVER",1,,,,,,,,,,,,,,,,,,,,,  
31-1,2,,129155-61380,, "SHAFT,GOV.LEVER",1,,,,,,S,M1-96069,E/#28121,,,,,,  
31-2,2,,119660-61491,, "SHAFT,GOVERNOR LEVER",1,,,,,,S,M1-97007,E/#28121,,,,,,  
32,2,,129500-61501,, "LEVER ASSY, GOVERNOR",1,,,,,,,,,,,,,,,,,,,,,  
33,3,,174307-51700,, "SHIM SET",2,,,,,,,,,,,,,,,,,,,,,  
46,3,,119843-61550,, BUSH,2,,,,,,,,,,,,,,,,,,,,,  
49,3,,26022-060122,, "SCREW M 6X 12",1,,,,,,,,,,,,,,,,,,,,,  
49-1,3,,26107-060102,, "BOLT M 6X 10 PLATED",1,,,,,,N,M1-96060,E/#28121,,,,,,  
50,2,,129155-61540,, SHIFTER,1,,,,,,,,,,,,,,,,,,,,,  
51,2,,129100-61650,, "SPRING, FUEL CONTROL",1,,,,,,,,,,,,,,,,,,,,,  
52,2,,129255-61802,, "LEVER, STOP",1,,,,,,,,,,,,,,,,,,,,,  
53,2,,129155-61810,, "PIN, STOP LEVER",1,,,,,,,,,,,,,,,,,,,,,  
54,2,,129100-61821,, "SPRING, RETURN",1,,,,,,,,,,,,,,,,,,,,,  
55,2,,129155-61830,, "O-RING S10",1,,,,,,,,,,,,,,,,,,,,,  
56,2,,129155-61950,, "BOLT, WASHER BASED",1,,,,,,,,,,,,,,,,,,,,,  
57,2,,124550-66370,, "LOCK NUT M 6",1,,,,,,,,,,,,,,,,,,,,,  
58,2,,22117-040000,, "WASHER 4",1,,,,,,,,,,,,,,,,,,,,,  
59,2,,22272-000040,, "CIRCLIP E- 4",1,,,,,,,,,,,,,,,,,,,,,  
60,2,,22272-000060,, "CIRCLIP E- 6",2,,,,,,Z,M1-96069,E/#28121,,,,,,  
61,2,,22287-120000,, "WASHER 12",1,,,,,,,,,,,,,,,,,,,,,  
62,2,,22351-030016,, "SPRING PIN 3X16",1,,,,,,,,,,,,,,,,,,,,,  
63,2,,22372-040000,, "SNAP PIN 4",2,,,,,,,,,,,,,,,,,,,,,  
64,2,,23887-100002,, "PLUG 10",1,,,,,,,,,,,,,,,,,,,,,  
65,2,,24311-240100,, "O-RING 1A P-10A",1,,,,,,,,,,,,,,,,,,,,,  
66,2,,26022-050102,, "SCREW M 5X 10",2,,,,,,,,,,,,,,,,,,,,,  
67,2,,26023-050102,, "SCREW M 5X 10",2,,,,,,,,,,,,,,,,,,,,,  
68,2,,26106-060202,, "BOLT M 6X 20 PLATED",6,,,,,,,,,,,,,,,,,,,,,  
69,2,,26366-080002,, "NUT M 8",1,,,,,,,,,,,,,,,,,,,,,  
70,2,,26756-060002,, "LOCK NUT 6",1,,,,,,,,,,,,,,,,,,,,,  
71,2,,26776-120002,, "LOCK NUT M12 PLATED",2,,,,,,,,,,,,,,,,,,,,,  
72,2,,43400-500390,, "SEAL WASHER 6S",1,,,,,,,,,,,,,,,,,,,,,  
72-1,2,,22190-060002,, "SEAL WASHER 6S",1,,,,,,R,TN-93179,E/#20469,,,,,,  
72-2,2,,22190-060003,, "SEAL WASHER 6S",1,,,,,,R,M1-98108,E/#29028,,,,,,  
73,2,,43400-500430,, "SEAL WASHER 10S",1,,,,,,,,,,,,,,,,,,,,,  
73-1,2,,22190-100002,, "SEAL WASHER 10S",1,,,,,,R,TN-93179,E/#20469,,,,,,  
74,2,,43400-500450,, "SEAL WASHER 12S",2,,,,,,,,,,,,,,,,,,,,,  
74-1,2,,22190-120002,, "SEAL WASHER 12",2,,,,,,R,TN-93179,E/#20469,,,,,,  
75,1,,129255-61450,, "TORQUE SPRING ASSY",1,,,,,,,,,,,,,,,,,,,,,  
81,2,,119660-61901,, "RETAINER, SHAFT",1,,,,,,W,M1-96069,E/#28121,,,,,,  
82,2,,26106-060102,, "BOLT M 6X 10 PLATED",1,,,,,,W,M1-96069,E/#28121,,,,,,  
83,1,,171353-61710,, "SPRING, GOVERNOR",1,,,,,,,,,,,,,,,,,,,,,  
84,1,,26687-120002,, "CAP NUT M12",1,,,,,,,,,,,,,,,,,,,,,  
85,1,,135210-61090,, LEAD,1,,,,,,,,,,,,,,,,,,,,,



86,1,,22451-060000,, "WIRE 0.6",1,,,,,,,,,,,,,,,,,,,,,

Silverhorn.CO.UK

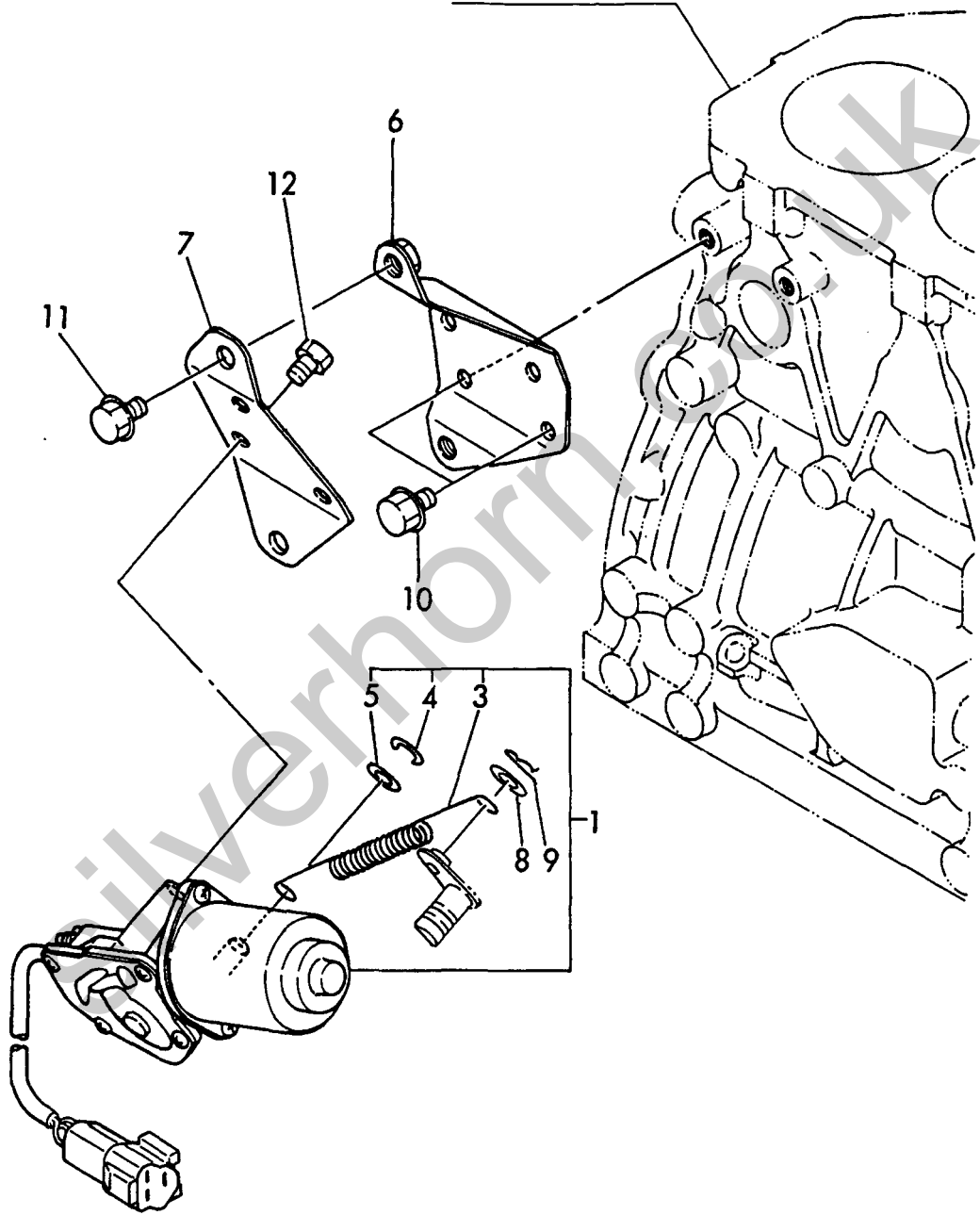


1,1,,129436-66800,, "MOTOR ASSY, STOP",1,,,,,,,,,,,,,  
3,2,,129505-66830,, "SPRING, STOP MOTOR",1,,,,,,,,,,,,,  
4,2,,129566-66880,, "RING, SNAP",1,,,,,,,,,,,,,  
5,2,,129566-66890,, "WASHER",1,,,,,,,,,,,,,  
6,1,,129107-66810,, "BRACKET(A),STP.MOTOR",1,,,,,,,,,,,,,  
7,1,,129107-66820,, "BRACKET(B),STP.MOTOR",1,,,,,,,,,,,,,  
8,1,,22117-080000,, "WASHER 8",1,,,,,,,,,,,,,  
9,1,,22360-080000,, "SNAP PIN 8",1,,,,,,,,,,,,,  
10,1,,26106-080122,, "BOLT M 8X 12 PLATED",2,,,,,,,,,,,,,  
11,1,,26106-080122,, "BOLT M 8X 12 PLATED",2,,,,,,,,,,,,,  
12,1,,26116-050102,, "BOLT M 5X 10 PLATED",3,,,,,,,,,,,,,

Silverhorn.CO.UK

Fig. 17 ENGINE STOP DEVICE

REFER TO Fig. 1



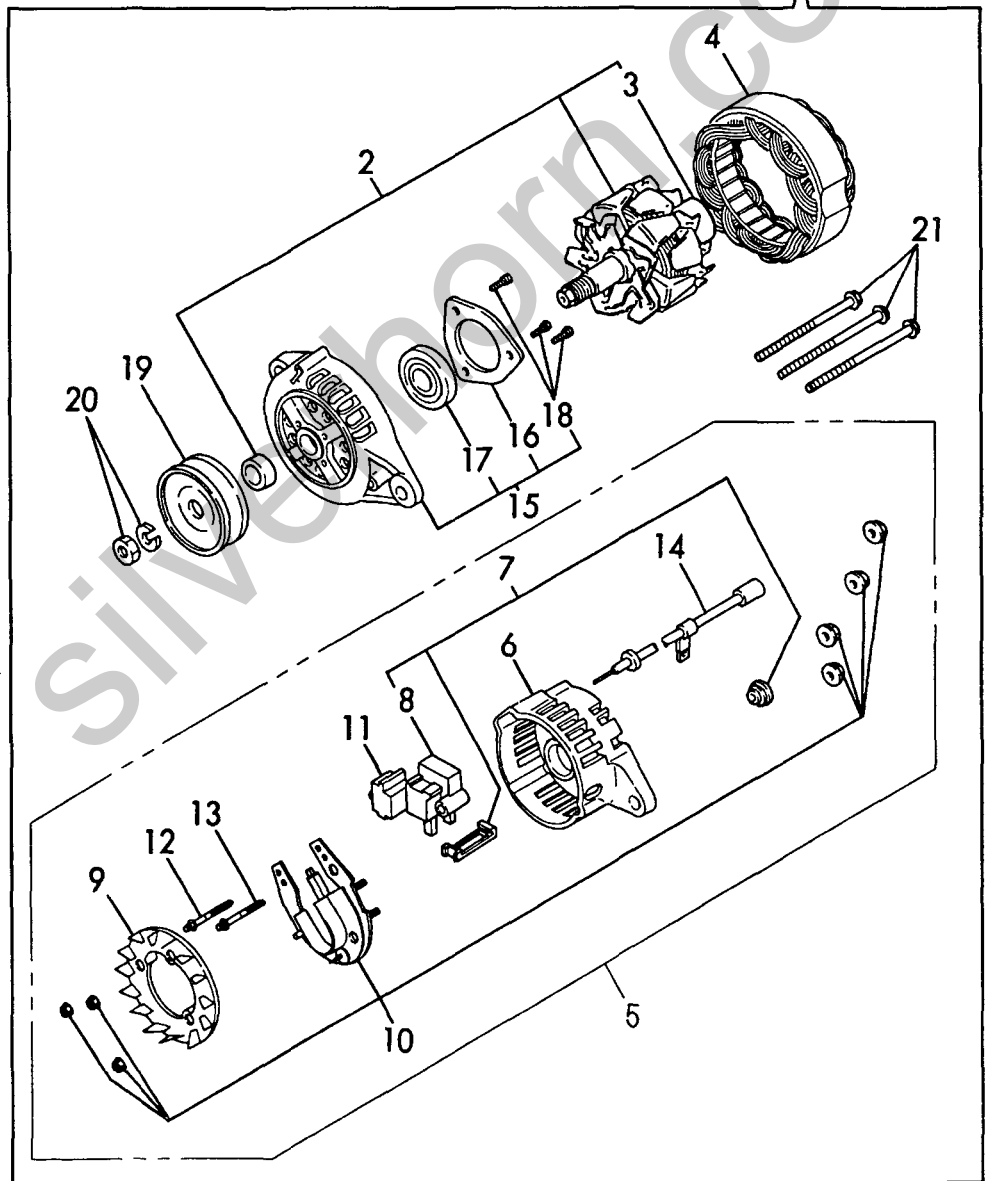
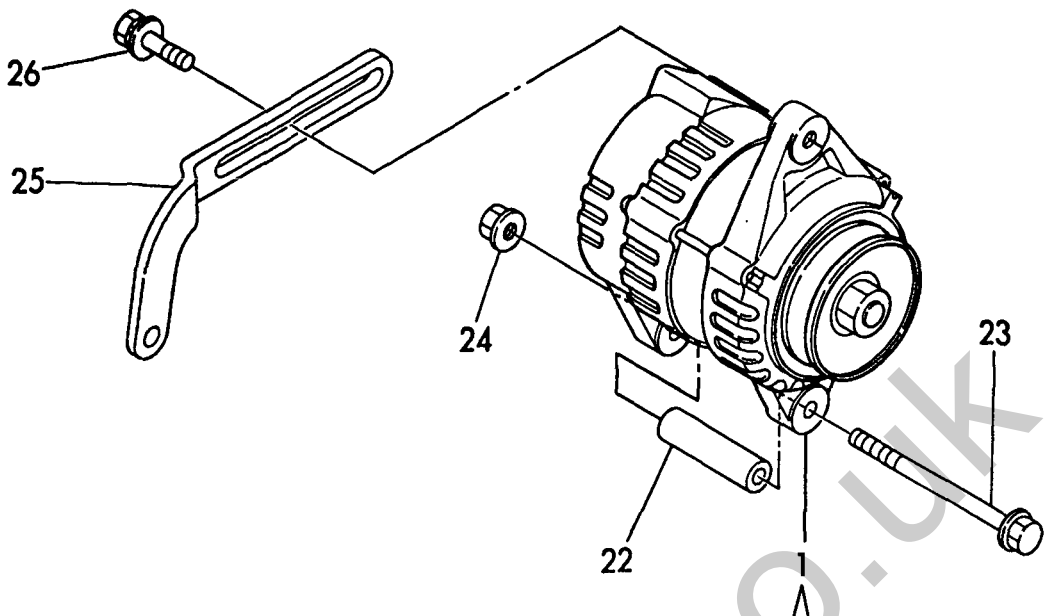
1,1,,121254-77012,, "STARTING MOTOR",1,,,,,,,,,,,,,  
2,2,,121254-77401,, "ARMATURE, (NON-ASB.)",1,,,,,,,,,,,,,  
2-1,2,,121254-77402,, "ARMATURE ASSY",1,,,,,N,,TN-95722,E/#28121,,,,,,  
2A,3,,121254-77410,, "BALL BEARING",1,,,,,W,\*EXXX,,,,,,  
2B,3,,121254-77420,, "BALL BEARING",1,,,,,W,\*EXXX,,,,,,  
3,2,,121254-77430,, "WASHER KIT, THRUST",1,,,,,,,,,,,,,  
8,2,,121254-77480,, "STOPPER KIT, PINION",1,,,,,,,,,,,,,  
15,2,,121254-77520,, "COIL ASSY, FIELD",1,,,,,,,,,,,,,  
16,3,,121254-77530,, "SCREW, POLE CORE",4,,,,,,,,,,,,,  
17,3,,121254-77540,, "BRUSH(+)",2,,,,,,,,,,,,,  
18,2,,121254-77550,, "COVER ASSY, REAR",1,,,,,,,,,,,,,  
20,2,,121254-77570,, "HOLDER ASSY, BRUSH",1,,,,,,,,,,,,,  
20-1,2,,121254-77571,, "HOLDER",1,,,,,N,,TN-95722,E/#28121,,,,,,  
21,3,,121254-77580,, "BRUSH (-)",2,,,,,,,,,,,,,  
21-1,3,,121254-77581,, "BRUSH",2,,,,,N,\*EXXX,,,,,,  
22,3,,121254-77590,, "SPRING, BRUSH",4,,,,,,,,,,,,,  
23,2,,121254-77600,, "BEARING ASSY, CENTER",1,,,,,,,,,,,,,  
24,3,,119129-77210,, "SEAL, OIL",1,,,,,,,,,,,,,  
26,2,,121254-77640,, "SHAFT ASSY, GEAR",1,,,,,,,,,,,,,  
28,2,,121254-77661,, "PINION ASSY",1,,,,,,,,,,,,,  
29,2,,121254-77670,, "SWITCH, MAGNETIC",1,,,,,,,,,,,,,  
30,2,,121254-77681,, "CASE ASSY, GEAR",1,,,,,,,,,,,,,  
31,3,,121254-77690,, "METAL, GEAR CASE",1,,,,,,,,,,,,,  
32,2,,121254-77700,, "LEVER SET, SHIFT",1,,,,,,,,,,,,,  
35,2,,121254-77730,, "DUST COVER SET",1,,,,,,,,,,,,,  
39,2,,121254-77770,, "BOLT, THROUGH",2,,,,,,,,,,,,,  
40,2,,121254-77790,, "SCREW 4",2,,,,,,,,,,,,,  
41,2,,121254-77810,, "TERMINAL COVER",1,,,,,,,,,,,,,  
42,2,,26106-060302,, "BOLT M 6X 30 PLATED",3,,,,,,,,,,,,,  
43,2,,26106-060452,, "BOLT M 6X 45 PLATED",2,,,,,,,,,,,,,  
44,2,,26450-050122,, "BOLT M 5X 12",2,,,,,,,,,,,,,  
45,1,,26116-120252,, "BOLT M12X 25 PLATED",2,,,,,,,,,,,,,  
46,1,,119247-77100,, "RELAY, SAFETY",1,,,,,,,,,,,,,  
46-1,1,,119247-77100,, "RELAY, SAFETY",2,,,,,K,,TN-94637,E/#28121,,,,,,  
47,1,,129432-77100,, "RELAY",1,,,,,,,,,,,,,  
47-1,1,,129432-77101,, "RELAY, SAFETY",1,,,,,N,,TN-95498,E/#28121,,,,,,  
48,1,,129100-77910,, "RELAY, MAGNETIC",1,,,,,,,,,,,,,  
49,1,,128300-77920,, "TIMER",1,,,,,,,,,,,,,  
50,1,,129150-49360,, "GASKET 10",1,,,,,W,,TN-94637,E/#28121,,,,,,



1,1,,119836-77200,,GENERATOR,1,,,,,,,,,,,,,  
2,2,,119836-77700,,,"ROTOR ASSY",1,,,,,,,,,,,,,  
3,3,,119836-77850,,,"BALL BEARING",1,,,,,,,,,,,,,  
4,2,,119836-77710,,,"STARTER ASSY",1,,,,,,,,,,,,,  
5,2,,119836-77721,,,"COVER ASSY, REAR",1,,,,,,,,,,,,,  
6,3,,119836-77730,,,"COVER, REAR",1,,,,,,,,,,,,,  
7,3,,119836-77741,,,"BRUSH ASSY,REGULATOR",1,,,,,,,,,,,,,  
8,4,,119836-77750,,,"BRUSH ASSY",1,,,,,,,,,,,,,  
9,3,,119836-77760,,,"GUIDE, FAN SIDE",1,,,,,,,,,,,,,  
10,3,,119836-77770,,,"DIODE ASSY",1,,,,,,,,,,,,,  
11,3,,119836-77780,,,"CONDENSER",1,,,,,,,,,,,,,  
12,3,,119836-77871,,,"BOLT (1)",1,,,,,,,,,,,,,  
13,3,,119836-77880,,,"BOLT (2)",1,,,,,,,,,,,,,  
14,3,,119836-77890,,,"WIRE ASSY, LEAD",1,,,,,,,,,,,,,  
15,2,,119836-77790,,,"COVER ASSY, FRONT",1,,,,,,,,,,,,,  
16,3,,119836-77800,,,"RETAINER, BEARING",1,,,,,,,,,,,,,  
17,3,,119836-77840,,,"BALL BEARING",1,,,,,,,,,,,,,  
18,3,,119836-77860,,,"SCREW KID",1,,,,,,,,,,,,,  
19,2,,119836-77810,,,"PULLEY",1,,,,,,,,,,,,,  
20,2,,119836-77820,,,"NUT ASSY, PULLEY",1,,,,,,,,,,,,,  
21,2,,119836-77830,,,"BOLT, THROUGH",1,,,,,,,,,,,,,  
22,1,,119820-77340,,,"SPACER",1,,,,,,,,,,,,,  
23,1,,129136-77250,,,"BOLT M 8X105",1,,,,,,,,,,,,,  
23-1,1,,129136-77251,,,"BOLT M 8X110",1,,,,,,N,TE-97539,E/#29028,,,,,,  
24,1,,26366-080002,,,"NUT M 8",1,,,,,,,,,,,,,  
25,1,,129100-77330,,,"ADJUSTER",1,,,,,,,,,,,,,  
26,1,,26014-080252,,,"BOLT M 8X 25",1,,,,,,,,,,,,,  
26-1,1,,119810-77340,,,"BOLT",1,,,,,,N,TE-97613,E/#29028,,,,,,



Fig. 19 GENERATOR

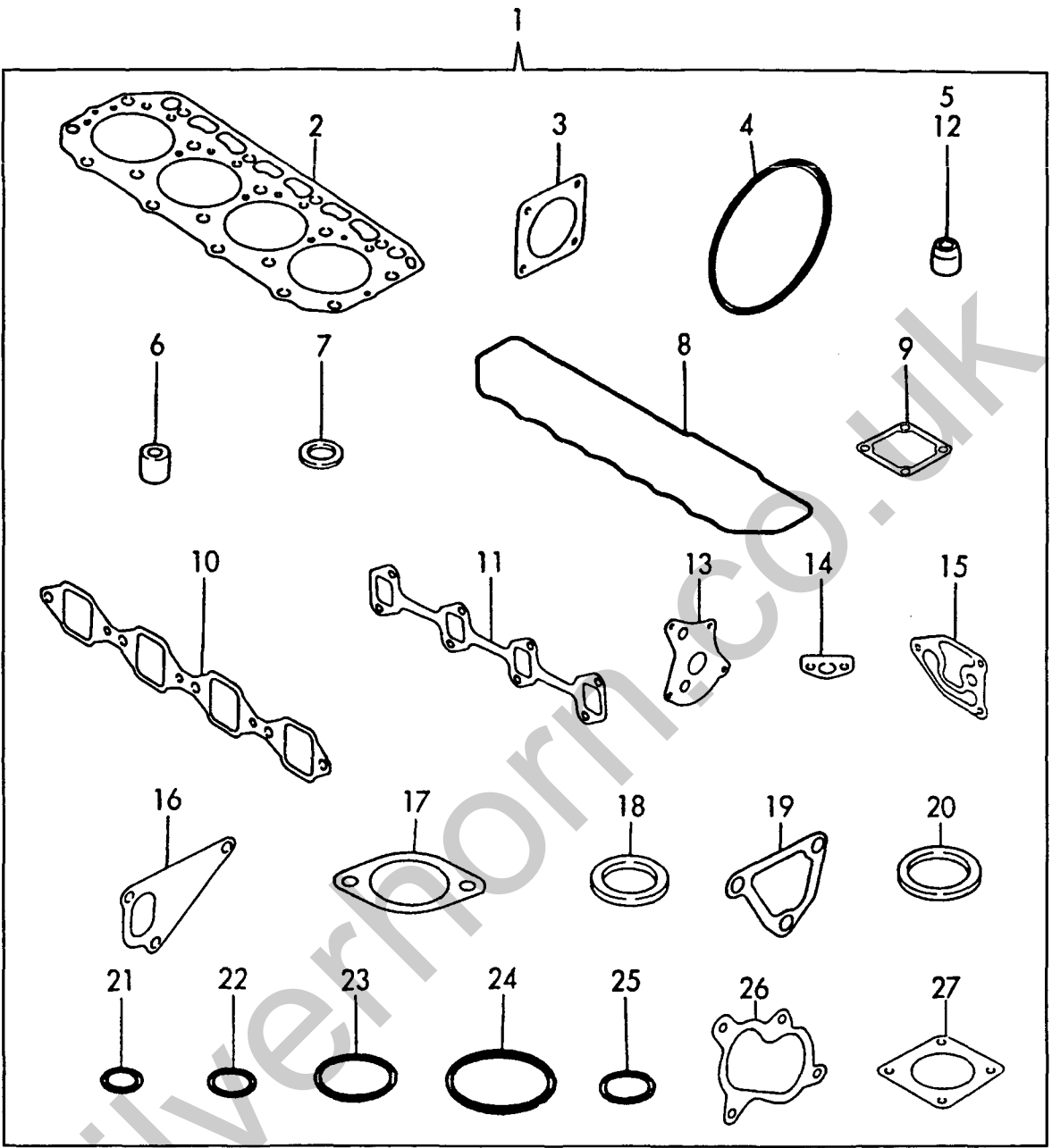




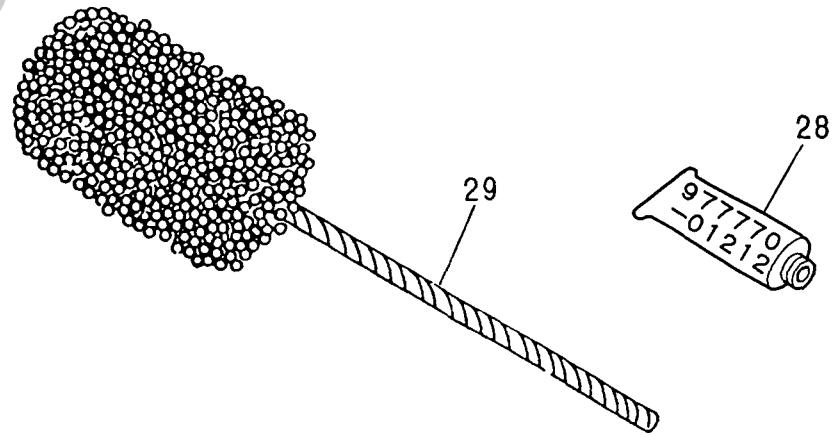
1,1,,729484-92600,, "GASKET SET(NON ASB.)",1,,,,,,,,1,,,,,,,,,  
2,2,,129405-01330,, "GASKET, CYL.HEAD",1,,,,,,,,,  
2-1,2,,129405-01331,, "GASKET, (NON-ASB.)",1,,,,,,,,R,,TE-93048,E/#20646,,,,,,,,,  
3,2,,124240-01883,, "GASKET, (NON-ASB.)",3,,,,,,,,,  
4,2,,121850-51960,, "O-RING, F.I.PUMP",1,,,,,,,,,  
5,2,,124460-11340,, "SEAL, VALVE STEM",4,,,,,,,,,  
6,2,,119625-11870,, "PROTECTOR, NOZZLE",4,,,,,,,,,  
7,2,,119625-11880,, "SEAT, NOZZLE",4,,,,,,,,,  
8,2,,129550-11310,, "GASKET, BONNET",1,,,,,,,,,  
9,2,,129150-77511,, "GASKET, (NON-ASB.)",1,,,,,,,,,  
10,2,,129550-12111,, "GASKET, (NON-ASB.)",1,,,,,,,,,  
11,2,,129550-13110,, "GASKET, EXH.MANIFOLD",1,,,,,,,,,  
12,2,,121400-11340,, "SEAL, VALVE STEM",4,,,,,,,,,  
13,2,,129150-32020,, "GASKET, L.O. PUMP",1,,,,,,,,,  
14,2,,129150-35041,, "GASKET, (NON-ASB.)",1,,,,,,,,,  
15,2,,129103-35122,, "GASKET, (NON-ASB.)",1,,,,,,,,,  
16,2,,129100-42020,, "GASKET, C.W. PUMP",1,,,,,,,,,  
17,2,,129795-49551,, "GASKET, (NON-ASB.)",1,,,,,,,,,  
18,2,,129150-49811,, "GASKET, (NON-ASB.)",1,,,,,,,,,  
19,2,,129100-49840,, "GASKET, THERMO. CASE",1,,,,,,,,,  
20,2,,124465-44950,, "GASKET 16",2,,,,,,,,,  
21,2,,24311-000120,, "O-RING 1A P 12.0",3,,,,,,,,,  
22,2,,24311-000160,, "O-RING 1A P-16.0",2,,,,,,,,,  
23,2,,24311-000320,, "O-RING 1A P-32.0",2,,,,,,,,,  
24,2,,24341-000500,, "O-RING 1A S-50.0",1,,,,,,,,,  
25,2,,24341-000240,, "O-RING 1A S-24.0",1,,,,,,,,,  
26,2,,129403-18080,, "GASKET,TURBO OUT",1,,,,,,,,,  
26-1,2,,129403-18081,, "GASKET,TURBO OUT",1,,,,,,,,R,,TN-95628,E/#28121,,,,,,,,,  
27,2,,129322-18100,, "GASKET",1,,,,,,,,,  
28,1,,977770-01212,, "GASKET, LIQUID",1,,,,,,,,1,,,,,,,,,  
29,1,,129400-92420,, "FLEX HORN",1,,,,,,,,1,,,,,,,,,



Fig. 20 GASKET SET (OPTIONAL) & TOOL



OPTIONAL



0,Y00B5001  
1,001,, "ENGINE 4TN84TL-RBS"  
2,1,, "CYLINDER BLOCK",4TN84TL-RBS,,,  
2,2,, "GEAR HOUSING",4TN84TL-RBS,,,  
2,3,, "FLYWHEEL HOUSING&LUB.OIL SUMP",4TN84TL-RBS,,,  
2,4,, "CYLINDER HEAD & BONNET",4TN84TL-RBS,,,  
2,5,, "SUC.MANIFOLD & AIR CLEANER",4TN84TL-RBS,,,  
2,6,, "EXH. MANIFOLD & SILENCER",4TN84TL-RBS,,,  
2,7,, "CAMSHAFT & DRIVING GEAR",4TN84TL-RBS,,,  
2,8,,TURBOCHARGER,4TN84TL-RBS,,,  
2,9,, "CRANKSHAFT & PISTON",4TN84TL-RBS,,,  
2,10,, "LUB. OIL SYSTEM",4TN84TL-RBS,,,  
2,11,, "LUB. OIL PIPE",4TN84TL-RBS,,,  
2,12,, "COOLING WATER SYSTEM",4TN84TL-RBS,,,  
2,13,, "FUEL INJECTION PUMP",4TN84TL-RBS,,,  
2,14,, "FUEL INJECTION VALVE",4TN84TL-RBS,,,  
2,15,, "FUEL PIPE",4TN84TL-RBS,,,  
2,16,,GOVERNOR,4TN84TL-RBS,,,  
2,17,, "ENGINE STOP DEVICE",4TN84TL-RBS,,,  
2,18,, "STARTING MOTOR",4TN84TL-RBS,,,  
2,19,,GENERATOR,4TN84TL-RBS,,,  
2,20,, "GASKET SET(OPTIONAL) & TOOL",4TN84TL-RBS,,,

Silverhorn.CO.UK